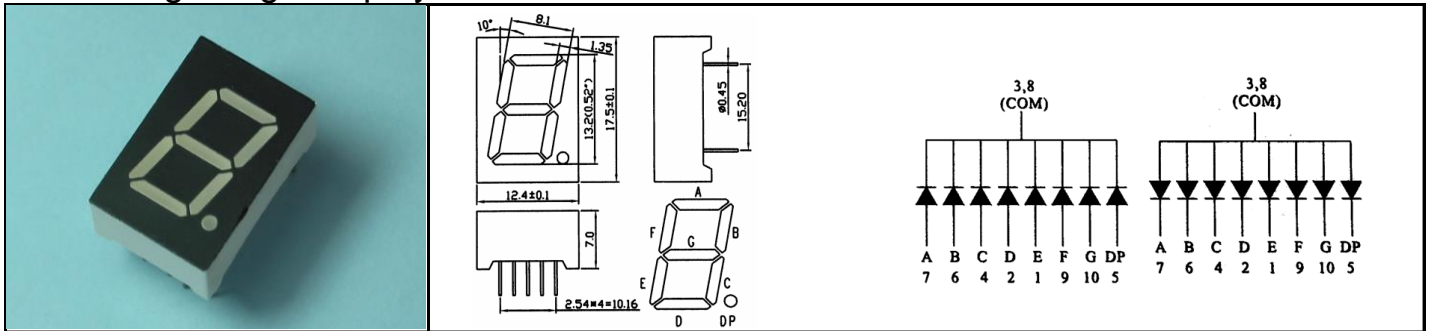


# YETDA SINGLE DIGIT DISPLAY

Part Number	Chip			Face Color	Segment Color	VF (V)		Iv (mcd)		C.C. Or C.A.
	Material	Emitter Color	λD(nm)			at IF=20mA		at IF=20mA		
						Typ.	Max.	Min.	Typ.	

## 0.52" Single Digit Display

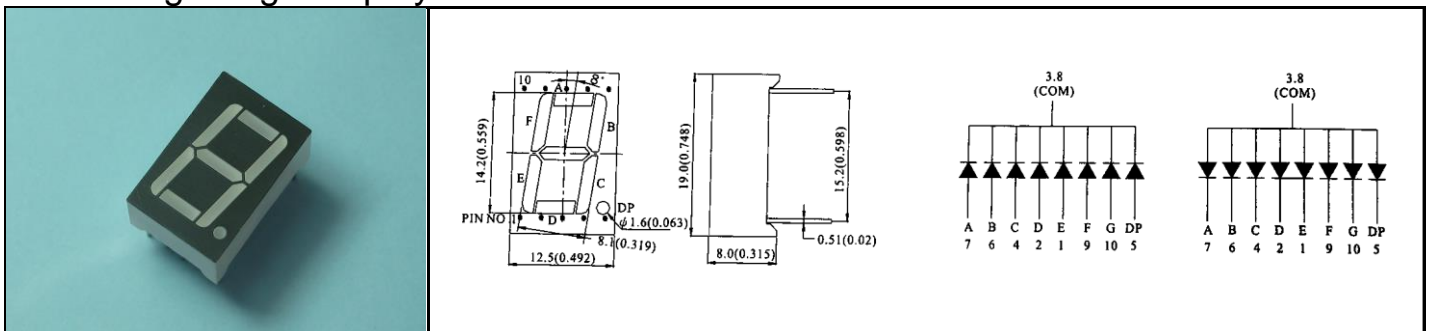
UNIT:mm/inch



S-5211ASK11	AlGaAs/GaAs	Red	660	Black	White	1.8	2.2	4	12	CC
S-5211AE11	GaAsP/GaP	Orange	620			2.1	2.6	6	10	
S-5211AGU11	GaP	Yellow Green	573			2.2	2.6	6	9	
S-5211AY11	GaAsP/GaP	Yellow	590			2.1	2.6	6	12	
S-5211AB11	InGaN	Blue	470			3.2	3.8	35	45	
S-5211APG11	InGaN	Pure Green	525			3.2	3.8	150	180	
S-5212AUF10	AlGaInP	Red	625	Black	Clear	2.0	2.4	75	90	CA
S-5212AE10	GaAsP/GaP	Orange	620			2.1	2.6	9	15	
S-5212AGU10	GaP	Yellow Green	573			2.2	2.6	9	14	
S-5212AYF10	AlGaInP	Yellow	590			2.0	2.4	30	45	
S-5212AB10	InGaN	Blue	470			3.2	3.8	50	65	
S-5212AGF10	AlGaInP	Yellow Green	573			2.0	2.4	38	45	

## 0.56" Single Digit Display

UNIT:mm/inch



S-5611BSK11	AlGaAs/GaAs	Red	660	Black	White	1.8	2.2	4	12	CC
S-5611BE11	GaAsP/GaP	Orange	620			2.1	2.6	6	10	
S-5611BGU11	GaP	Yellow Green	573			2.2	2.6	6	9	
S-5611BY11	GaAsP/GaP	Yellow	590			2.1	2.6	6	12	
S-5611BW11	InGaN	White	X:0.29 Y:0.30			3.2	3.8	60	75	
S-5611BB11	InGaN	Blue	470			3.2	3.8	35	45	
S-5611BPG11	InGaN	Pure Green	525	3.2	3.8	150	180			
S-5612BUF21	AlGaInP	Red	625	Grey	White	2.0	2.4	50	60	CA
S-5612BE21	GaAsP/GaP	Orange	620			2.1	2.6	6	10	
S-5612BGF21	AlGaInP	Yellow Green	573			2.0	2.4	25	30	
S-5612BYF21	AlGaInP	Yellow	590			2.0	2.4	20	30	
S-5612BB21	InGaN	Blue	470			3.2	3.8	35	45	
S-5612BGU21	GaP	Yellow Green	573			2.2	2.6	6	9	