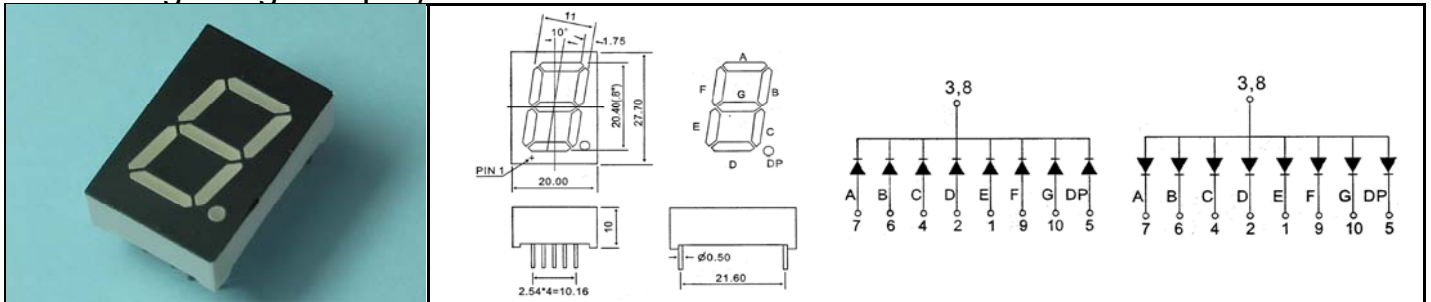


# YETDA SINGLE DIGIT DISPLAY

Part Number	Chip			Face Color	Segment Color	VF (V)		Iv (mcd)		C.C. Or C.A.
	Material	Emitter Color	$\lambda_D$ (nm)			at IF=20mA		at IF=20mA		
						Typ.	Max.	Min.	Typ.	

## 0.80" Single Digit Display

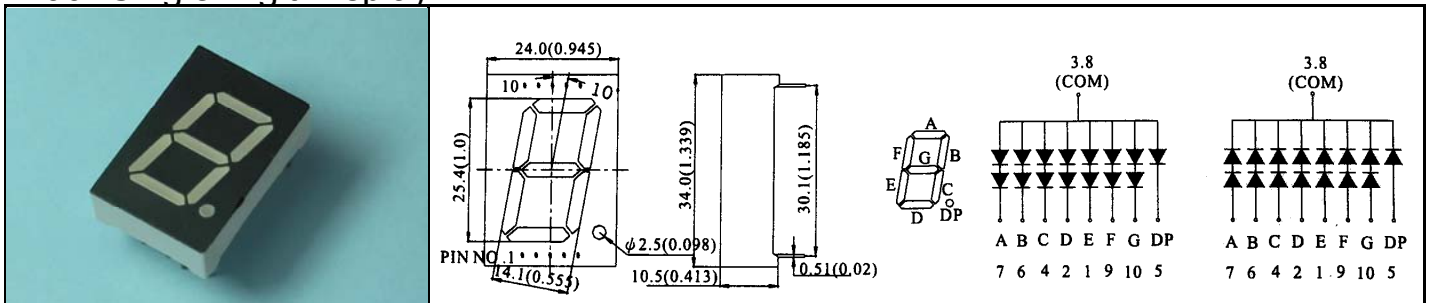
UNIT:mm/inch



S-8011AUF11	AlGaInP	Red	625	Black	White	2.0	2.4	75	90	CC
S-8011AE11	GaAsP/GaP	Orange	620			2.1	2.6	6	10	
S-8011AGU11	GaP	Yellow Green	573			2.2	2.6	6	9	
S-8012AB10	InGaN	Blue	470	Black	Clear	3.2	3.8	35	45	CA
S-8012APG10	InGaN	Pure Green	525			3.2	3.8	150	180	
S-8012AYF10	AlGaInP	Yellow	590			2.0	2.4	30	45	
S-8012AGF10	AlGaInP	Yellow Green	573			2.0	2.4	38	45	

## 1.00" Single Digit Display

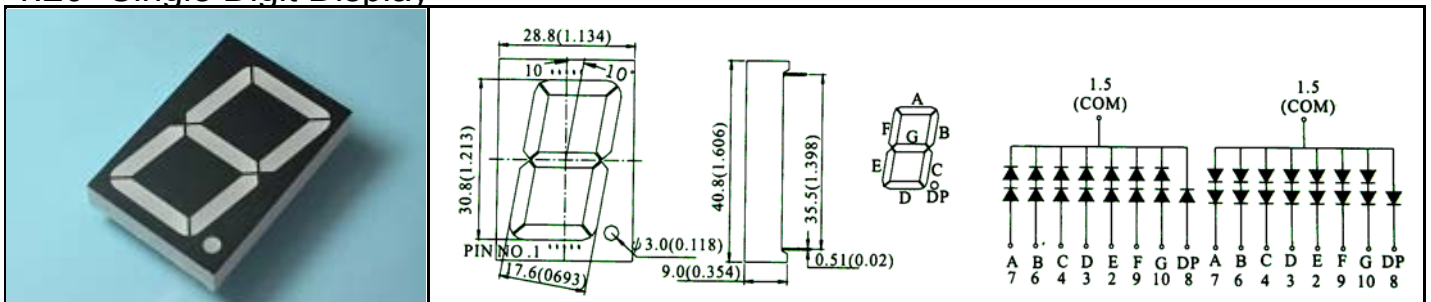
UNIT:mm/inch



S-10013ASK11	AlGaAs/GaAs	Red	660	Black	White	3.6	4.4	4	12	CC
S-10013AE11	GaAsP/GaP	Orange	620			4.2	5.2	6	10	
S-10013AGU11	GaP	Yellow Green	573			4.4	5.2	6	9	
S-10014AY10	GaAsP/GaP	Yellow	590	Black	Clear	4.2	5.2	6	12	CA
S-10014AB10	InGaN	Blue	470			6.4	7.6	35	45	
S-10014APG10	InGaN	Pure Green	525			6.4	7.6	150	180	
S-10014AW10	InGaN	White	X:0.29 Y:0.30			6.4	7.6	60	75	

## 1.20" Single Digit Display

UNIT:mm/inch



S-12011AUF11	AlGaInP	Red	625	Black	White	4.0	4.8	75	90	CC
S-12011AE11	GaAsP/GaP	Orange	620			4.2	5.2	6	10	
S-12011AGU11	GaP	Yellow Green	573			4.4	5.2	6	9	
S-12012AB10	InGaN	Blue	470	Black	Clear	6.4	7.6	35	45	CA
S-12012APG10	InGaN	Pure Green	525			6.4	7.6	150	180	
S-12012AYF10	AlGaInP	Yellow	590			4.0	4.8	30	45	
S-12012AGF10	AlGaInP	Yellow Green	573			4.0	4.8	38	45	