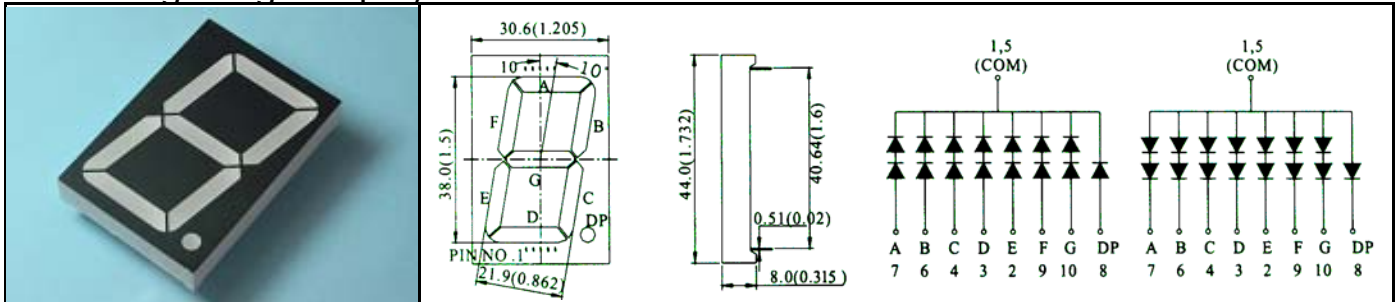


YETDA SINGLE DIGIT DISPLAY

Part Number	Chip			Face Color	Segment Color	VF (V)		Iv (mcd)		C.C.
	Material	Emitter Color	λ_D (nm)			at I _F =20mA		at I _F =20mA		Or C.A.
						Typ.	Max.	Min.	Typ.	

1.50" Single Digit Display

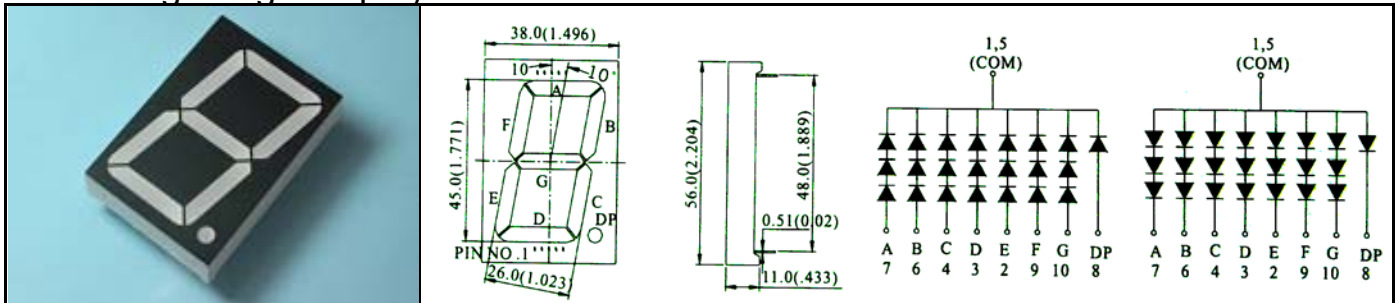
UNIT:mm/inch



S-15011ASK11	AlGaAs/GaAs	Red	660	Black	White	3.6	4.4	4	12	CC
S-15011AE11	GaAsP/GaP	Orange	620			4.2	5.2	6	10	
S-15011AGU11	GaP	Yellow Green	573	Black	Clear	4.4	5.2	6	9	CA
S-15012AY10	GaAsP/GaP	Yellow	590			4.2	5.2	6	12	
S-15012AB10	InGaN	Blue	470			6.4	7.6	35	45	
S-15012APG10	InGaN	Pure Green	525			6.4	7.6	150	180	
S-15012AW10	InGaN	White	X:0.29 Y:0.30			6.4	7.6	60	70	

1.80" Single Digit Display

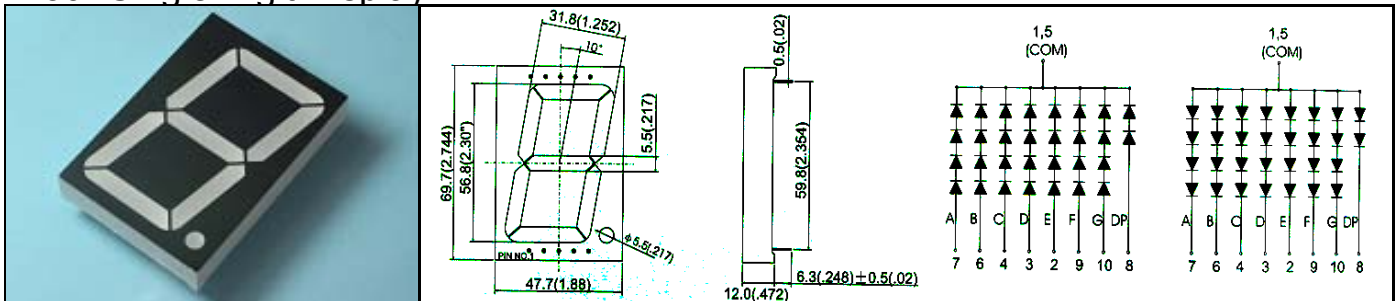
UNIT:mm/inch



S-18017AUF11	AlGaInP	Red	625	Black	White	6.0	7.2	75	90	CC
S-18017AE11	GaAsP/GaP	Orange	620			6.3	7.8	9	15	
S-18017AGU11	GaP	Yellow Green	573	Black	Clear	6.6	7.8	9	14	CA
S-18018AYF10	AlGaInP	Yellow	590			6.0	7.2	30	45	
S-18018APG10	InGaN	Pure Green	525			9.6	11.4	150	180	
S-18018AB10	InGaN	Blue	470			9.6	11.4	50	65	
S-18018AGF10	AlGaInP	Yellow Green	573			6.0	7.2	38	45	

2.30" Single Digit Display

UNIT:mm/inch



S-23011ASK11	AlGaAs/GaAs	Red	660	Black	White	7.2	8.8	4	12	CC
S-23011AE11	GaAsP/GaP	Orange	620			8.4	10.4	6	10	
S-23011AGU11	GaP	Yellow Green	573	Grey	White	8.8	10.4	6	9	CA
S-23012AY21	GaAsP/GaP	Yellow	590			8.4	10.4	6	12	
S-23012AB21	InGaN	Blue	470			12.8	15.2	35	45	
S-23012APG21	InGaN	Pure Green	525			12.8	15.2	150	180	
S-23012AW21	InGaN	White	X:0.29 Y:0.30			12.8	15.2	60	70	