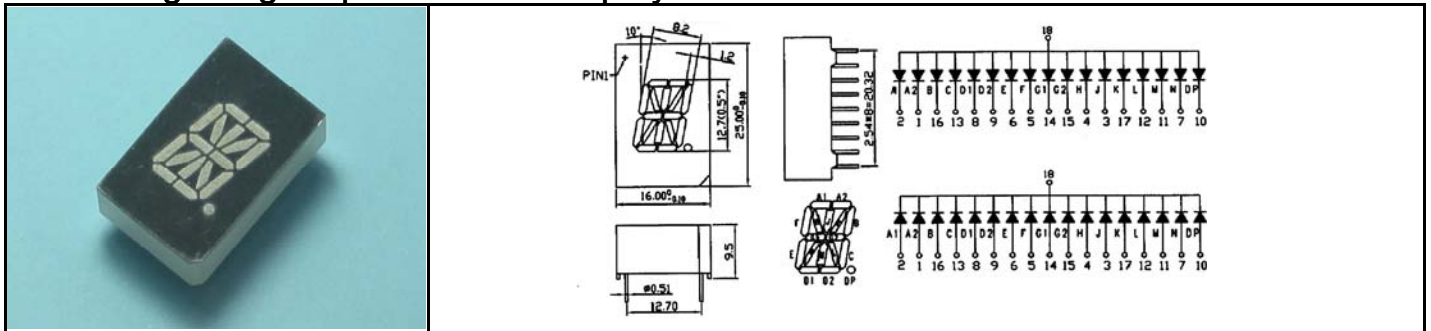


YETDA ALPHANUMERIC DISPLAY

| Part Number | Chip | | | Face Color | Segment Color | VF (V) | | Iv (mcd) | | C.C. Or C.A. |
|-------------|----------|---------------|-----------------|------------|---------------|------------|------|------------|------|--------------------|
| | Material | Emitter Color | $\lambda D(nm)$ | | | at IF=20mA | | at IF=20mA | | |
| | | | | | | Typ. | Max. | Min. | Typ. | |

0.50" Single Digit Alphanumeric Display

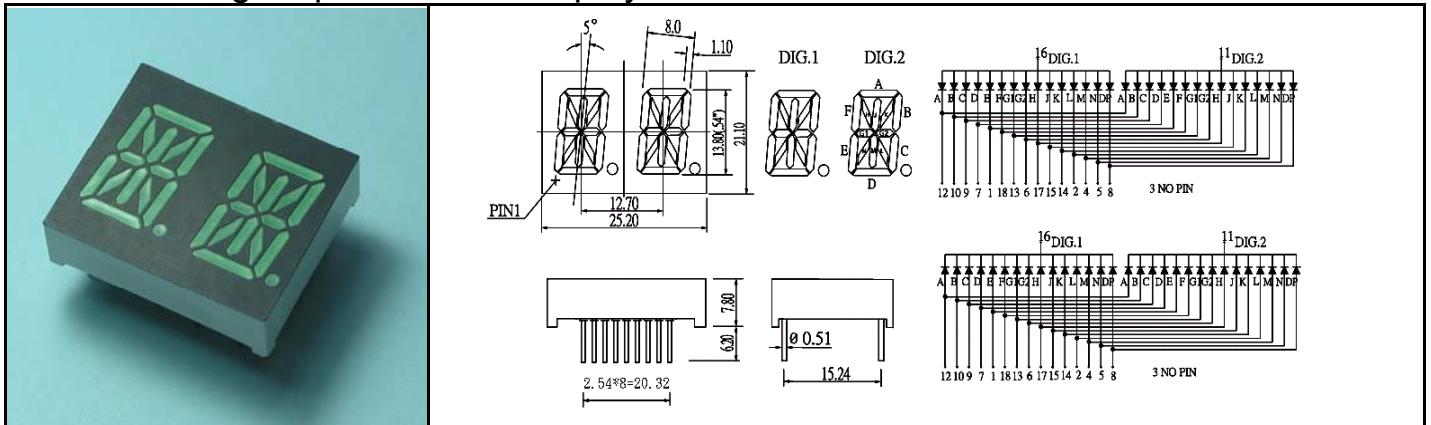
UNIT:mm/inch



| | | | | | | | | | | |
|-------------|-------------|--------------|-----|-------|-------|-----|-----|-----|-----|----|
| S-5013RSK11 | AlGaAs/GaAs | Red | 660 | Black | White | 1.8 | 2.2 | 4 | 12 | CC |
| S-5013RE11 | GaAsP/GaP | Orange | 620 | | | 2.1 | 2.6 | 6 | 10 | |
| S-5013RGU11 | GaP | Yellow Green | 573 | | | 2.2 | 2.6 | 6 | 9 | |
| S-5013RY11 | GaAsP/GaP | Yellow | 590 | | | 2.1 | 2.6 | 6 | 12 | |
| S-5013RB11 | InGaN | Blue | 470 | | | 3.2 | 3.8 | 35 | 45 | |
| S-5013RPG11 | InGaN | Pure Green | 525 | | | 3.2 | 3.8 | 150 | 180 | |
| S-5014RSK10 | AlGaAs/GaAs | Red | 660 | Black | Clear | 1.8 | 2.2 | 6 | 18 | CA |
| S-5014RE10 | GaAsP/GaP | Orange | 620 | | | 2.1 | 2.6 | 9 | 15 | |
| S-5014RGU10 | GaP | Yellow Green | 573 | | | 2.2 | 2.6 | 9 | 14 | |
| S-5014RYF10 | AlGaInP | Yellow | 590 | | | 2.0 | 2.4 | 30 | 45 | |
| S-5014RB10 | InGaN | Blue | 470 | | | 3.2 | 3.8 | 50 | 65 | |
| S-5014RGF10 | AlGaInP | Yellow Green | 573 | | | 2.0 | 2.4 | 38 | 45 | |

0.54" Dual Digit Alphanumeric Display

UNIT:mm/inch



| | | | | | | | | | | |
|-------------|-------------|--------------|-----|-------|-------|-----|-----|-----|-----|----|
| D-5421RSK11 | AlGaAs/GaAs | Red | 660 | Black | White | 1.8 | 2.2 | 4 | 12 | CC |
| D-5421RE11 | GaAsP/GaP | Orange | 620 | | | 2.1 | 2.6 | 6 | 10 | |
| D-5421RGU11 | GaP | Yellow Green | 573 | | | 2.2 | 2.6 | 6 | 9 | |
| D-5421RY11 | GaAsP/GaP | Yellow | 590 | | | 2.1 | 2.6 | 6 | 12 | |
| D-5421RB11 | InGaN | Blue | 470 | | | 3.2 | 3.8 | 35 | 45 | |
| D-5421RPG11 | InGaN | Pure Green | 525 | | | 3.2 | 3.8 | 150 | 180 | |
| D-5422RSK10 | AlGaAs/GaAs | Red | 660 | Black | Clear | 1.8 | 2.2 | 6 | 18 | CA |
| D-5422RE10 | GaAsP/GaP | Orange | 620 | | | 2.1 | 2.6 | 9 | 15 | |
| D-5422RGU10 | GaP | Yellow Green | 573 | | | 2.2 | 2.6 | 9 | 14 | |
| D-5422RYF10 | AlGaInP | Yellow | 590 | | | 2.0 | 2.4 | 30 | 45 | |
| D-5422RB10 | InGaN | Blue | 470 | | | 3.2 | 3.8 | 50 | 65 | |
| D-5422RGF10 | AlGaInP | Yellow Green | 573 | | | 2.0 | 2.4 | 38 | 45 | |