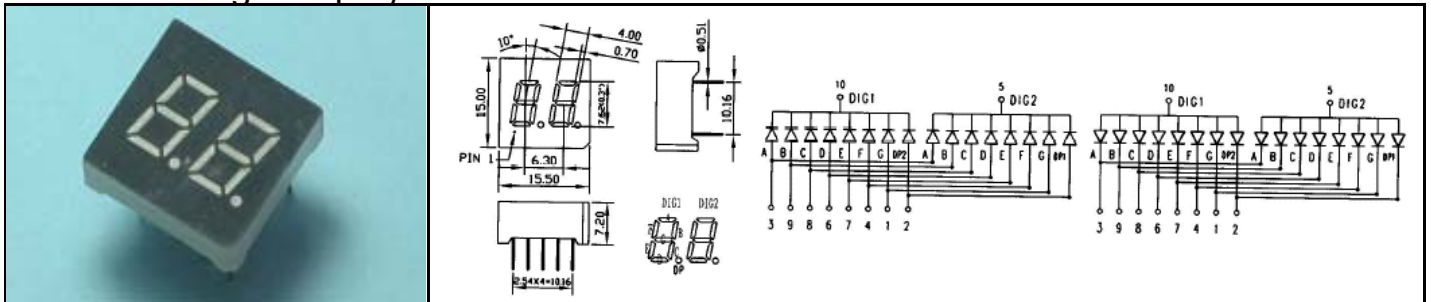


YETDA DUAL DIGIT DISPLAY

Part Number	Chip			Face Color	Segment Color	VF (V)		Iv (mcd)		C.C. Or C.A.
	Material	Emitter Color	λ_D (nm)			at IF=20mA		at IF=20mA		
						Typ.	Max.	Min.	Typ.	

0.30" Dual Digit Display

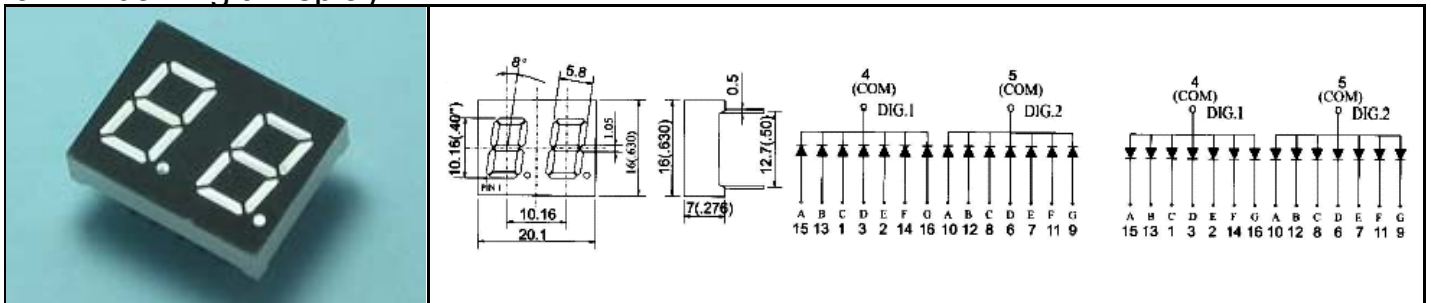
UNIT:mm/inch



D-3021ASK11	AlGaAs/GaAs	Red	660	Black	White	1.8	2.2	4	12	CC
D-3021AE11	GaAsP/GaP	Orange	620			2.1	2.6	6	10	
D-3021AGU11	GaP	Yellow Green	573			2.2	2.6	6	9	
D-3022AY10	GaAsP/GaP	Yellow	590	Black	Clear	2.1	2.6	6	12	CA
D-3022AB10	InGaN	Blue	470			3.2	3.8	35	45	
D-3022APG10	InGaN	Pure Green	525			3.2	3.8	150	180	
D-3022AGF10	AlGaInP	Yellow Green	573			2.0	2.4	39	46	

0.4" Dual Digit Display

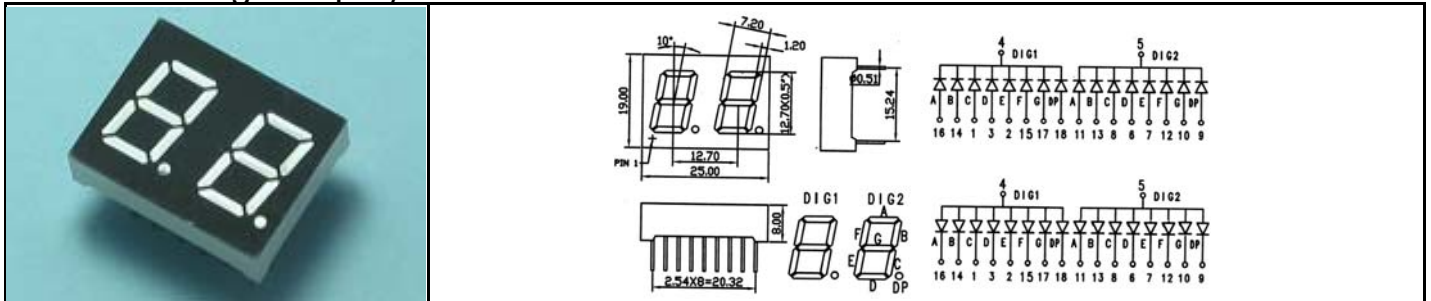
UNIT:mm/inch



D-4027AUF11	AlGaInP	Red	625	Black	White	2.0	2.4	50	60	CC
D-4027AE11	GaAsP/GaP	Orange	620			2.1	2.6	6	10	
D-4027AGF11	AlGaInP	Yellow Green	573			2.0	2.4	39	46	
D-4028AYF21	AlGaInP	Yellow	590	Grey	White	2.0	2.4	20	30	CA
D-4028AB21	InGaN	Blue	470			3.2	3.8	35	45	
D-4028APG21	InGaN	Pure Green	525			3.2	3.8	150	180	
D-4028AW21	InGaN	White	X:0.29 Y:0.30			3.2	3.8	60	75	

0.50" Dual Digit Display

UNIT:mm/inch



D-5021ASK11	AlGaAs/GaAs	Red	660	Black	White	1.8	2.2	4	12	CC
D-5021AE11	GaAsP/GaP	Orange	620			2.1	2.6	6	10	
D-5021AGU11	GaP	Yellow Green	573			2.2	2.6	6	9	
D-5022AY10	GaAsP/GaP	Yellow	590	Black	Clear	2.1	2.6	6	12	CA
D-5022AB10	InGaN	Blue	470			3.2	3.8	35	45	
D-5022APG10	InGaN	Pure Green	525			3.2	3.8	150	180	
D-5022AGF10	AlGaInP	Yellow Green	573			2.0	2.4	38	45	