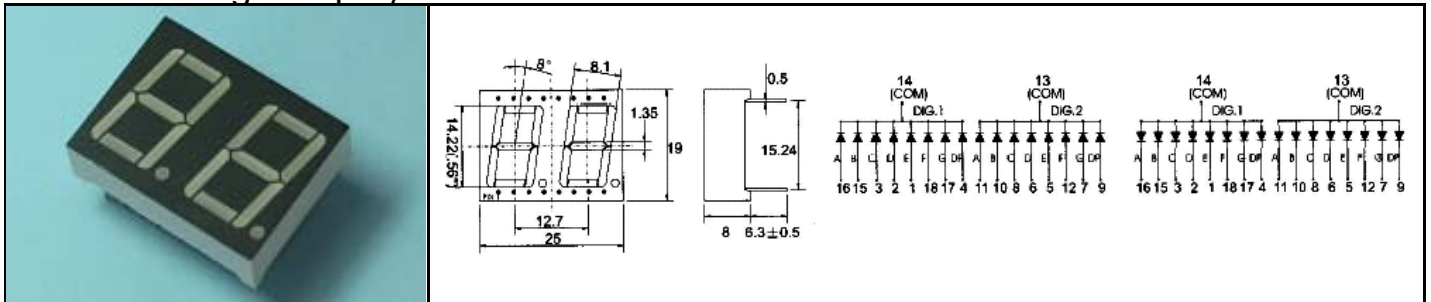


# YETDA DUAL DIGIT DISPLAY

| Part Number | Chip     |               |                  | Face Color | Segment Color | VF (V)     |      | Iv (mcd)   |      | C.C.<br>Or<br>C.A. |
|-------------|----------|---------------|------------------|------------|---------------|------------|------|------------|------|--------------------|
|             | Material | Emitter Color | $\lambda_D$ (nm) |            |               | at IF=20mA |      | at IF=20mA |      |                    |
|             |          |               |                  |            |               | Typ.       | Max. | Min.       | Typ. |                    |

## 0.56" Dual Digit Display

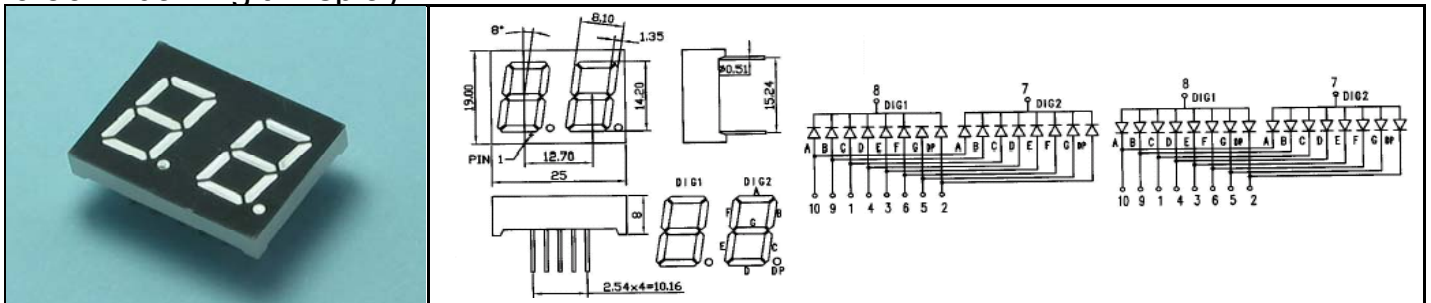
UNIT:mm/inch



|             |           |              |                  |       |       |     |     |     |     |    |
|-------------|-----------|--------------|------------------|-------|-------|-----|-----|-----|-----|----|
| D-5621BUF11 | AlGaInP   | Red          | 625              | Black | White | 2.0 | 2.4 | 50  | 60  | CC |
| D-5621BE11  | GaAsP/GaP | Orange       | 620              |       |       | 2.1 | 2.6 | 6   | 10  |    |
| D-5621BGF11 | AlGaInP   | Yellow Green | 573              | Grey  | White | 2.0 | 2.4 | 39  | 46  | CA |
| D-5622BYF21 | AlGaInP   | Yellow       | 590              |       |       | 2.0 | 2.4 | 20  | 30  |    |
| D-5622BB21  | InGaN     | Blue         | 470              |       |       | 3.2 | 3.8 | 35  | 45  |    |
| D-5622BPG21 | InGaN     | Pure Green   | 525              |       |       | 3.2 | 3.8 | 150 | 180 |    |
| D-5622BW21  | InGaN     | White        | X:0.29<br>Y:0.30 |       |       | 3.2 | 3.8 | 60  | 75  |    |

## 0.56" Dual Digit Display

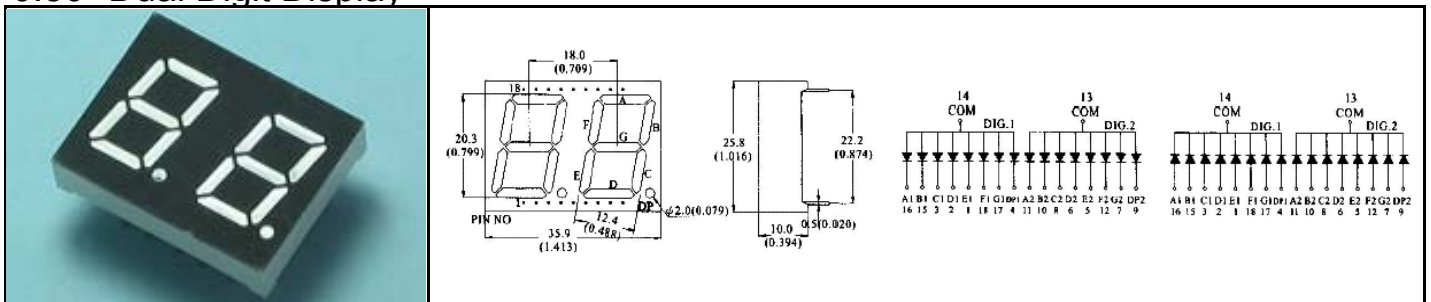
UNIT:mm/inch



|             |             |              |     |       |       |     |     |     |     |    |
|-------------|-------------|--------------|-----|-------|-------|-----|-----|-----|-----|----|
| D-5625ASK11 | AlGaAs/GaAs | Red          | 660 | Black | White | 1.8 | 2.2 | 4   | 12  | CC |
| D-5625AE11  | GaAsP/GaP   | Orange       | 620 |       |       | 2.1 | 2.6 | 6   | 10  |    |
| D-5625AGU11 | GaP         | Yellow Green | 573 | Black | Clear | 2.2 | 2.6 | 6   | 9   | CA |
| D-5626AY10  | GaAsP/GaP   | Yellow       | 590 |       |       | 2.1 | 2.6 | 6   | 12  |    |
| D-5626AB10  | InGaN       | Blue         | 470 |       |       | 3.2 | 3.8 | 35  | 45  |    |
| D-5626APG10 | InGaN       | Pure Green   | 525 |       |       | 3.2 | 3.8 | 150 | 180 |    |
| D-5626AGF10 | AlGaInP     | Yellow Green | 573 |       |       | 2.0 | 2.4 | 38  | 45  |    |

## 0.80" Dual Digit Display

UNIT:mm/inch



|             |             |              |     |       |       |     |     |     |     |    |
|-------------|-------------|--------------|-----|-------|-------|-----|-----|-----|-----|----|
| D-8021ASK11 | AlGaAs/GaAs | Red          | 660 | Black | White | 1.8 | 2.2 | 6   | 18  | CC |
| D-8021AE11  | GaAsP/GaP   | Orange       | 620 |       |       | 2.1 | 2.6 | 8   | 13  |    |
| D-8021AGU11 | GaP         | Yellow Green | 573 | Black | Clear | 2.2 | 2.6 | 8   | 12  | CA |
| D-8022AYF10 | AlGaInP     | Yellow       | 590 |       |       | 2.0 | 2.4 | 26  | 39  |    |
| D-8022AB10  | InGaN       | Blue         | 470 |       |       | 3.2 | 3.8 | 50  | 65  |    |
| D-8022APG10 | InGaN       | Pure Green   | 525 |       |       | 3.2 | 3.8 | 150 | 180 |    |
| D-8022AGF10 | AlGaInP     | Yellow Green | 573 |       |       | 2.0 | 2.4 | 39  | 46  |    |