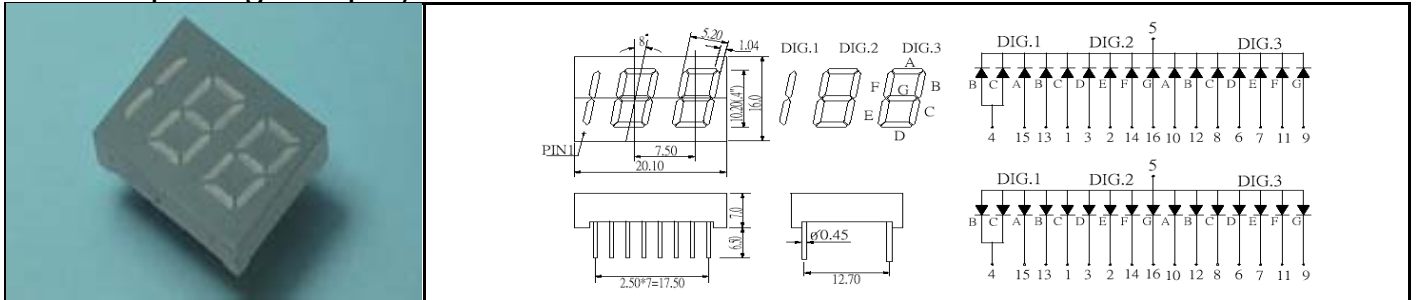


YETDA TRIPLE DIGIT DISPLAY

Part Number	Chip			Face Color	Segment Color	VF (V)		Iv (mcd)		C.C. Or C.A.
	Material	Emitter Color	λ_D (nm)			at I _F =20mA		at I _F =20mA		
						Typ.	Max.	Min.	Typ.	

0.40" Triple Digit Display

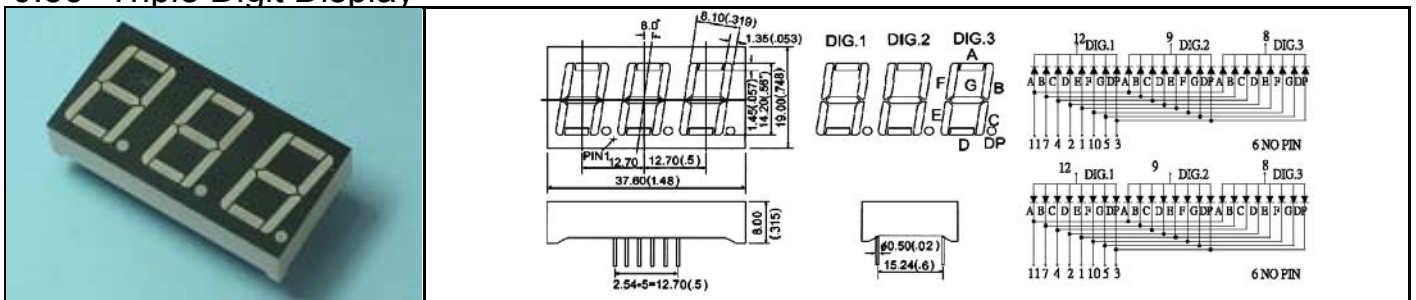
UNIT:mm/inch



T-4033EUF11	AlGaInP	Red	625	Black	White	2.0	2.4	50	60	CC
T-4033EE11	GaAsP/GaP	Orange	620			2.1	2.6	6	10	
T-4033EGF11	AlGaInP	Yellow Green	573			2.0	2.4	39	46	
T-4034EYF21	AlGaInP	Yellow	590	Grey	White	2.0	2.4	20	30	CA
T-4034EPG21	InGaN	Pure Green	525			3.2	3.8	150	180	
T-4034EB21	InGaN	Blue	470			3.2	3.8	35	45	
T-4034EW21	InGaN	White	X:0.29 Y:0.30			3.2	3.8	60	75	

0.56" Triple Digit Display

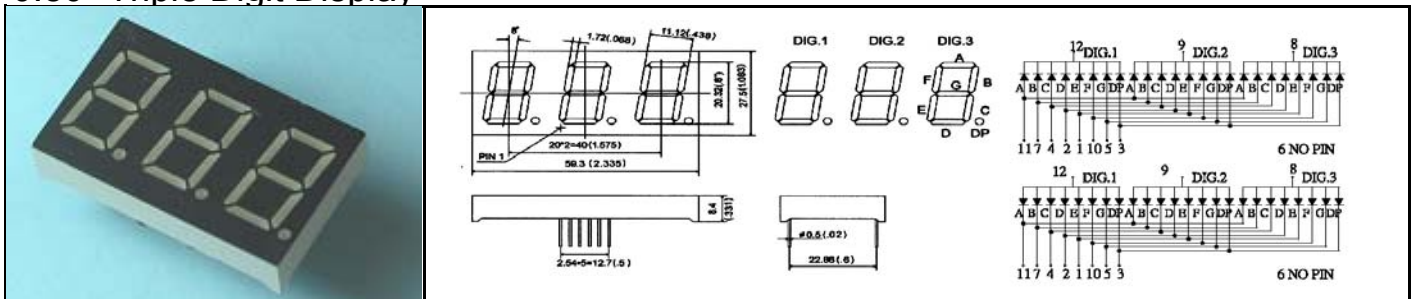
UNIT:mm/inch



T-5631BSK11	AlGaAs/GaAs	Red	660	Black	White	1.8	2.2	4	12	CC
T-5631BE11	GaAsP/GaP	Orange	620			2.1	2.6	6	10	
T-5631BGU11	GaP	Yellow Green	573			2.2	2.6	6	9	
T-5632BY10	GaAsP/GaP	Yellow	590	Black	Clear	2.1	2.6	6	12	CA
T-5632BB10	InGaN	Blue	470			3.2	3.8	35	45	
T-5632BPG10	InGaN	Pure Green	525			3.2	3.8	150	180	
T-5632BGF10	AlGaInP	Yellow Green	573			2.0	2.4	38	45	

0.80" Triple Digit Display

UNIT:mm/inch



T-8031AUF11	AlGaInP	Red	625	Black	White	2.0	2.4	50	60	CC
T-8031AE11	GaAsP/GaP	Orange	620			2.1	2.6	6	10	
T-8031AGF11	AlGaInP	Yellow Green	573			2.0	2.4	39	46	
T-8032AYF21	AlGaInP	Yellow	590	Grey	White	2.0	2.4	20	30	CA
T-8032APG21	InGaN	Pure Green	525			3.2	3.8	150	180	
T-8032AB21	InGaN	Blue	470			3.2	3.8	35	45	
T-8032AW21	InGaN	White	X:0.29 Y:0.30			3.2	3.8	60	75	