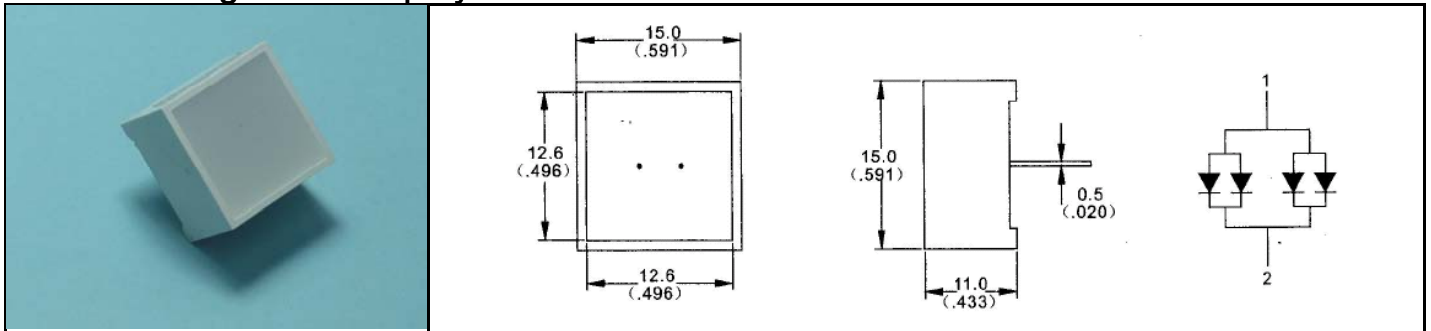


YETDA LIGHT BAR DISPLAY

Part Number	Chip			Face Color	Segment Color	VF (V)		Iv (mcd)		C.C. Or C.A.
	Material	Emitter Color	λ_D (nm)			at IF=20mA		at IF=20mA		
						Typ.	Max.	Min.	Typ.	

15×15mm Light Bar Display

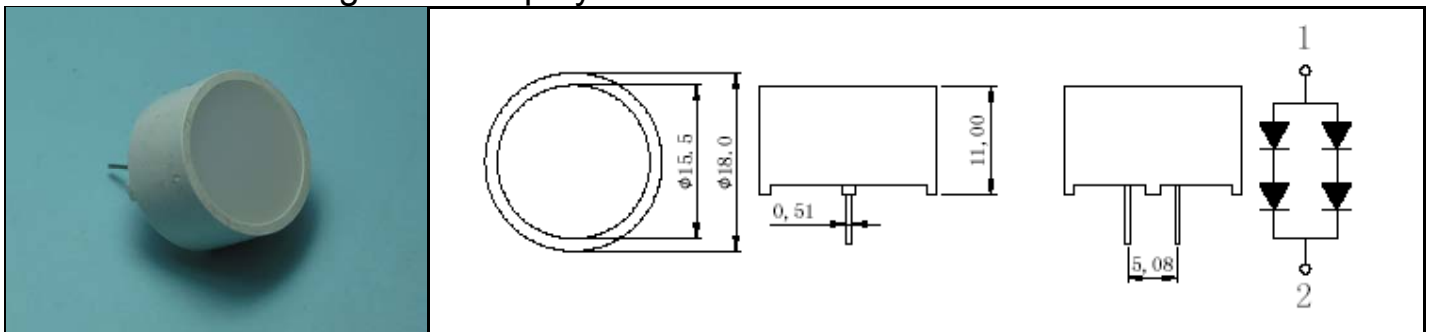
UNIT:mm



LB-15×15/4SK01	AlGaAs/GaAs	Red	660	White	White Diffused	1.8	2.2	10	16	C.A.
LB-15×15/4GU01	GaP	Yellow Green	573			2.2	2.6	8	12	
LB-15×15/4Y01	GaAsP/GaP	Yellow	590			2.1	2.6	6	8	
LB-15×15/4YF01	AlGaInP	Yellow	590			2.0	2.4	26	39	
LB-15×15/4GF01	AlGaInP	Yellow Green	573			2.0	2.4	38	45	
LB-15×15/4B01	InGaN	Blue	470			3.2	3.8	40	50	

18×18mm Round Light Bar Display

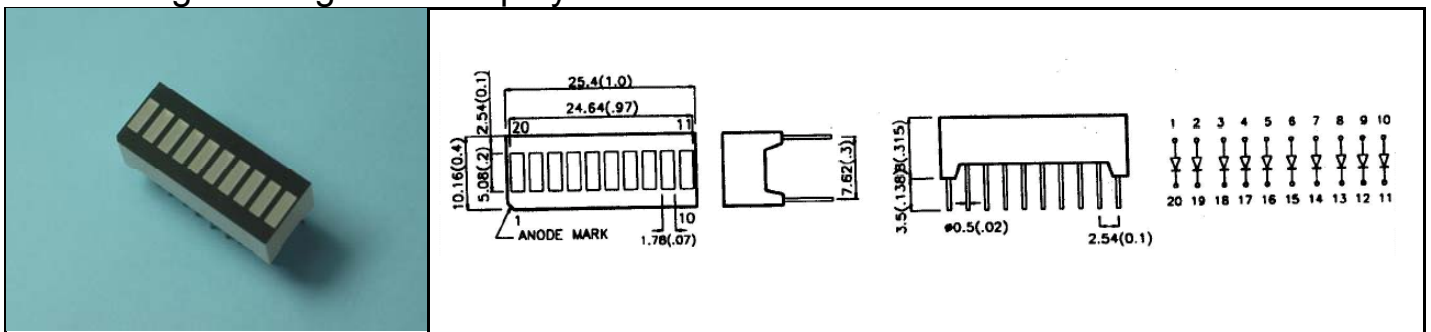
UNIT:mm



LB-18/4SK01	AlGaAs/GaAs	Red	660	White	White Diffused	3.6	4.4	10	16	C.A.
LB-18/4GU01	GaP	Yellow Green	573			4.4	5.2	8	12	
LB-18/4B01	InGaN	Blue	470			6.4	7.6	40	50	
LB-18/4YF01	AlGaInP	Yellow	590			4.0	4.8	26	39	
LB-18/4GF01	AlGaInP	Yellow Green	573			4.0	4.8	38	45	

10mm Segment Light Bar Display

UNIT:mm



LB-10×25/10GU11	GaP	Yellow Green	573	Black	White Diffused	2.2	2.6	4	6	N/A
LB-10×25/10SK11	AlGaAs/GaAs	Red	660			1.8	2.2	5	8	
LB-10×25/10B11	InGaN	Blue	470			3.2	3.8	40	50	
LB-10×25/10YF11	AlGaInP	Yellow	590			2.0	2.4	26	39	
LB-10×25/10GF11	AlGaInP	Yellow Green	573			2.0	2.4	38	45	