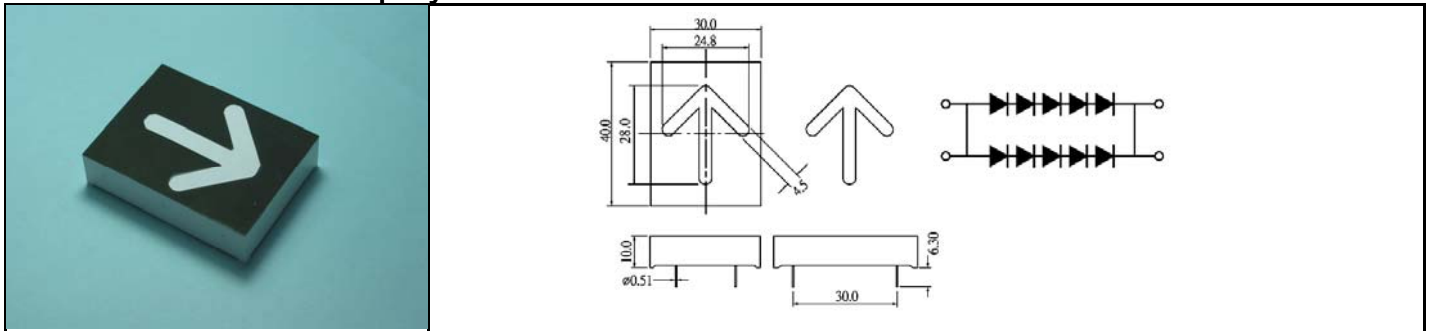


# YETDA DIRECTION INDICATOR DISPLAY

Part Number	Chip			Face Color	Segment Color	VF (V)		Iv (mcd)		C.C. Or C.A.
	Material	Emitter Color	$\lambda_D$ (nm)			at IF=20mA		at IF=20mA		
						Typ.	Max.	Min.	Typ.	

## Direction Indicator Display

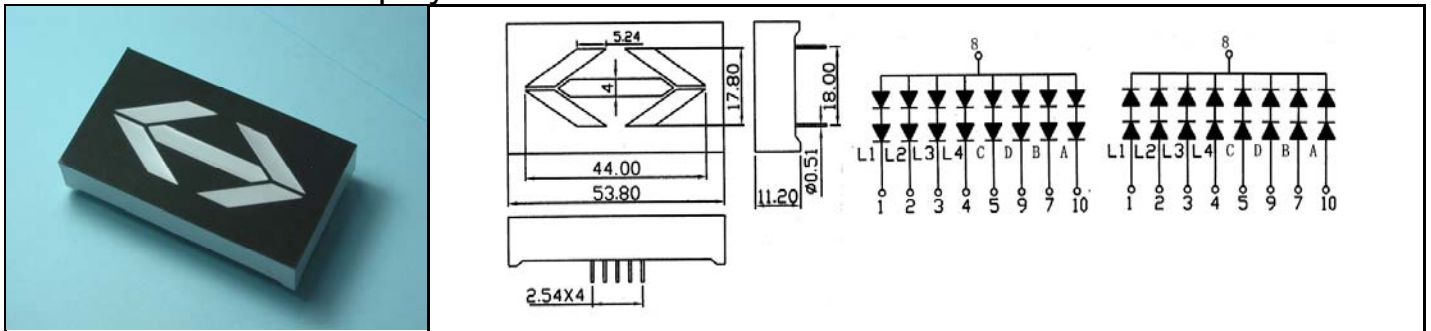
UNIT:mm



DI-4030SK21	AlGaAs/GaAs	Red	660	Grey	White Diffused	7.2	8.8	6	9	N/A
DI-4030G21	GaP	Yellow Green	573			8.8	10	6	9	
DI-4030B21	InGaN	Blue	470			12	16.2	24	30	
DI-4030YF21	AlGaInP	Yellow	590			8	9.6	20	26	
DI-4030GF21	AlGaInP	Yellow Green	573			8	9.6	20	26	
DI-4030W21	InGaN	White	X:0.29 Y:0.30			12	16.2	50	60	
DI-4030SK11	AlGaAs/GaAs	Red	660	Black	White Diffused	7.2	8.8	6	9	N/A
DI-4030G11	GaP	Yellow Green	573			8.8	10	6	9	
DI-4030B11	InGaN	Blue	470			12	16.2	24	30	
DI-4030YF11	AlGaInP	Yellow	590			8	9.6	20	26	
DI-4030GF11	AlGaInP	Yellow Green	573			8	9.6	20	26	
DI-4030W11	InGaN	White	X:0.29 Y:0.30			12	16.2	50	60	

## Direction Indicator Display

UNIT:mm



DI-5430SK11-A	AlGaAs/GaAs	Red	660	Black	White Diffused	3.6	4.4	5	8	C.A.
DI-5430B11-A	InGaN	Blue	470			6	7.6	35	45	
DI-5430G11-A	GaP	Yellow Green	573			4.4	5.2	6	9	
DI-5430YF11-A	AlGaInP	Yellow	590			4	4.8	20	30	
DI-5430GF11-A	AlGaInP	Yellow Green	573			4	4.8	20	30	
DI-5430W11-A	InGaN	White	X:0.29 Y:0.30			6.4	7.6	80	100	
DI-5430SK11-C	AlGaAs/GaAs	Red	660	Black	White Diffused	3.6	4.4	5	8	C.C.
DI-5430B11-C	InGaN	Blue	470			6	7.6	35	45	
DI-5430G11-C	GaP	Yellow Green	573			4.4	5.2	6	9	
DI-5430YF11-C	AlGaInP	Yellow	590			4	4.8	20	30	
DI-5430GF11-C	AlGaInP	Yellow Green	573			4	4.8	20	30	
DI-5430W11-C	InGaN	White	X:0.29 Y:0.30			6.4	7.6	80	100	