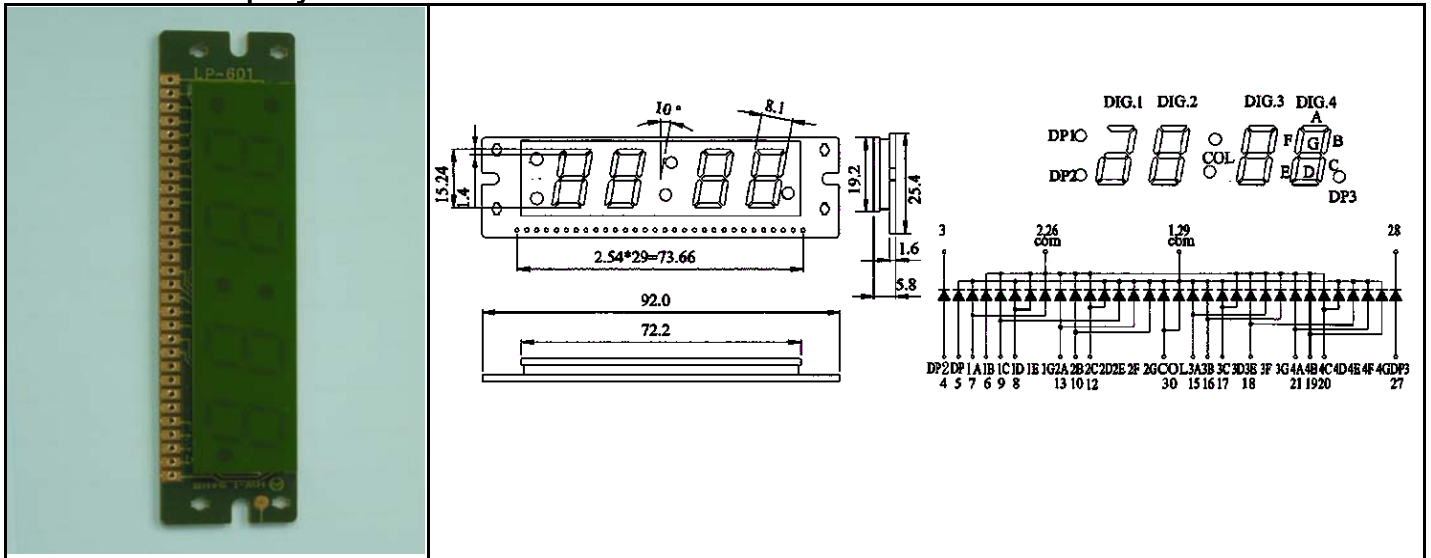


YETDA CLOCK DISPLAY

| Part Number | Chip | | | Face Color | Hours | VF (V) | | Iv (mcd) | | C.C. Or C.A. |
|-------------|----------|---------------|------------------|------------|-------|-------------------------|------|-------------------------|------|--------------------|
| | Material | Emitter Color | λ_D (nm) | | | at I _F =20mA | | at I _F =20mA | | |
| | | | | | | Typ. | Max. | Min. | Typ. | |

0.6" Clock Display

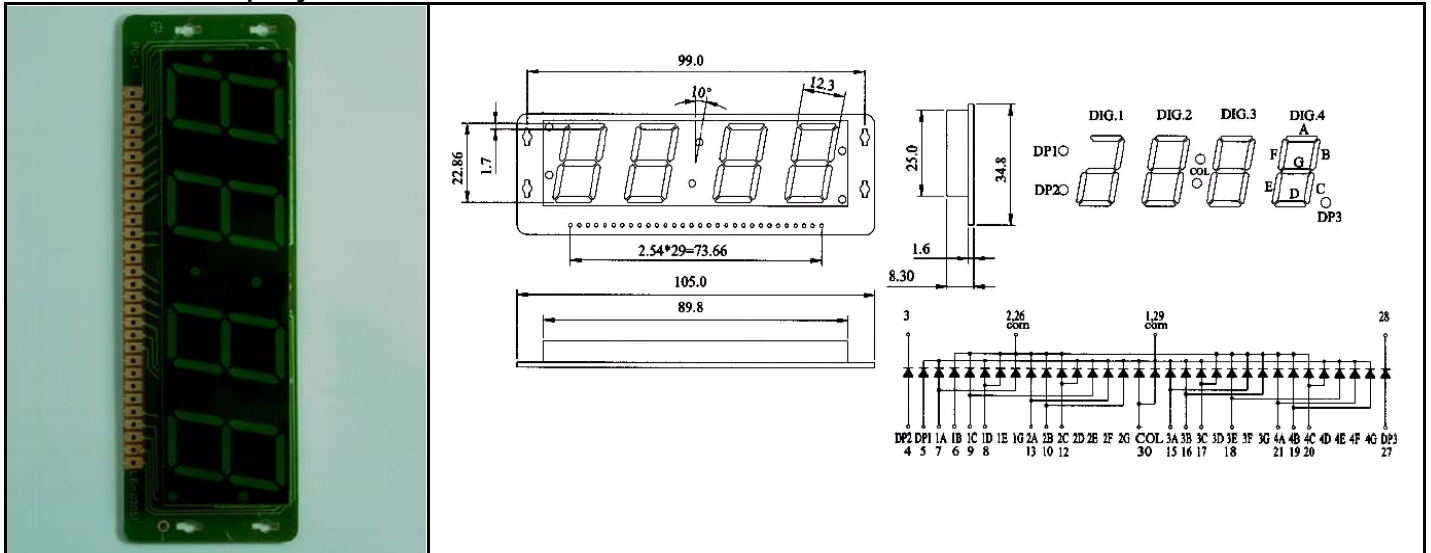
UNIT:mm



| | | | | | | | | | | |
|----------|---------|--------------|-----|-------|----|-----|-----|-----|-----|----|
| JP601-24 | GaP | Red | 700 | Red | 24 | 2.2 | 2.6 | 1 | 1.5 | CC |
| JP602-24 | GaP | Yellow Green | 573 | Green | | 2.2 | 2.6 | 6 | 10 | |
| JP603-24 | InGaN | Blue | 470 | Blue | | 3.2 | 3.8 | 35 | 45 | |
| JP604-24 | AlGaInP | Red | 625 | Red | | 2.0 | 2.4 | 50 | 60 | |
| JP605-24 | InGaN | Pure Green | 525 | Green | | 3.2 | 3.8 | 150 | 180 | |
| JP603-12 | InGaN | Blue | 470 | Blue | 12 | 3.2 | 3.8 | 35 | 45 | |
| JP604-12 | AlGaInP | Red | 625 | Red | | 2.0 | 2.4 | 50 | 60 | |
| JP605-12 | InGaN | Pure Green | 525 | Green | | 3.2 | 3.8 | 150 | 180 | |

0.9" Clock Display

UNIT:mm



| | | | | | | | | | | |
|----------|---------|--------------|-----|-------|----|-----|-----|-----|-----|----|
| JP901-24 | GaP | Red | 700 | Red | 24 | 2.2 | 2.6 | 1 | 1.5 | CC |
| JP902-24 | GaP | Yellow Green | 573 | Green | | 2.2 | 2.6 | 6 | 10 | |
| JP903-24 | InGaN | Blue | 470 | Blue | | 3.2 | 3.8 | 35 | 45 | |
| JP904-24 | AlGaInP | Red | 625 | Red | | 2.0 | 2.4 | 50 | 140 | |
| JP905-24 | InGaN | Pure Green | 525 | Green | | 3.2 | 3.8 | 150 | 180 | |
| JP903-12 | InGaN | Blue | 470 | Blue | 12 | 3.2 | 3.8 | 35 | 45 | |
| JP904-12 | AlGaInP | Red | 625 | Red | | 2.0 | 2.4 | 50 | 140 | |
| JP905-12 | InGaN | Pure Green | 525 | Green | | 3.2 | 3.8 | 150 | 180 | |