
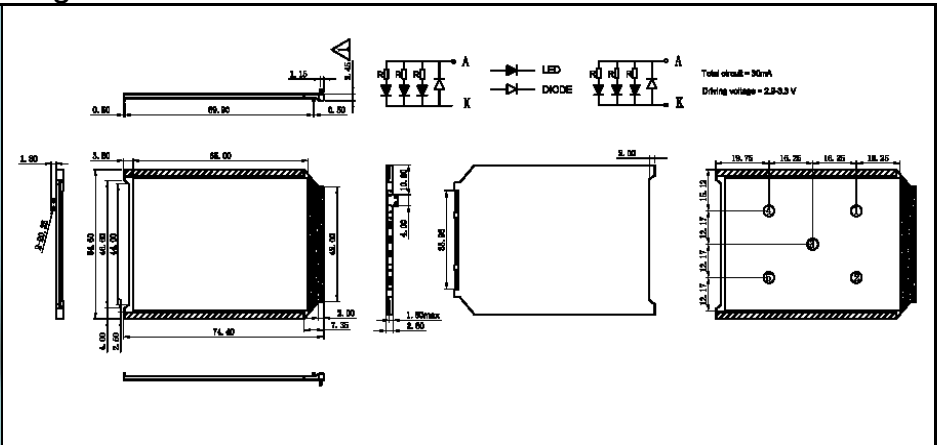


YETDA SIDE BACKLIGHT

Part Number	Chip			cd/m ²			VF (V)		
	Material	Emitter Color	λ_D (nm)	at I _F =mA	Typ.	Max.	at I _F =mA	Min.	Typ.

65×46mm LED Side Backlight With VR Protection

UNIT:mm


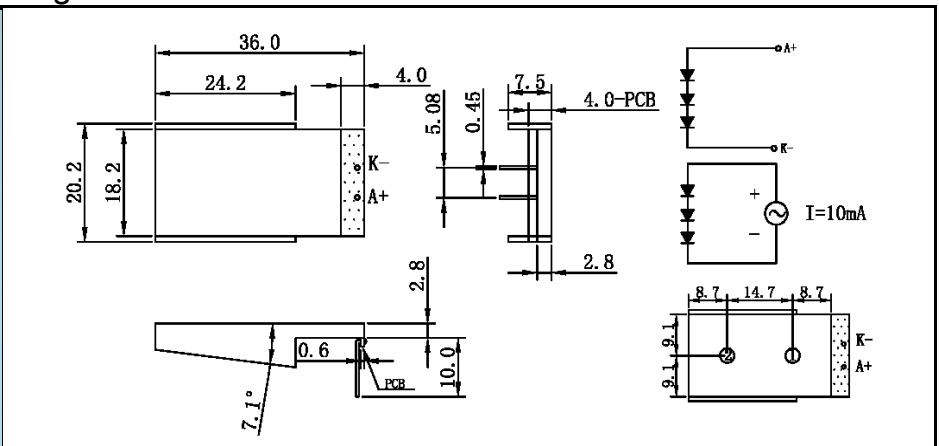



Technical drawing details: Total current = 30mA, Driving voltage = 2.9-3.3V. The drawing shows a top view with dimensions 65.00mm by 46.00mm, a side view with a height of 1.50mm, and a detailed view of the LED array with 4 pins labeled A, K, A, K. A circuit diagram shows two LEDs in series with a diode for reverse protection.

GRC6136W	InGaN	White	X:0.29 Y:0.30	30	60	80	30	3.1	3.3
----------	-------	-------	------------------	----	----	----	----	-----	-----

32×18mm LED Side Backlight

UNIT:mm

Technical drawing details: Dimensions include 36.0mm length, 24.2mm width, and 20.2mm height. It shows a 4.0mm PCB thickness and a 7.1° angle. A circuit diagram shows two LEDs in series with a diode for reverse protection, driven by a 10mA current source.

GRC5028YG	GaP	Yellow Green	573	10	30	40	10	6	7
-----------	-----	--------------	-----	----	----	----	----	---	---

Light Sources: COB/ SMD	
Brightness: 15-2000cd/m ²	
Thickness: 1.5mm-3.5mm	
Length:20mm-150mm	
Wide:10mm-100mm	
Color	λD
Yellow Green	569-574nm
Blue	465-475nm
Pure-Green	520-530nm
Red	620-630nm
White	X:0.26-0.32 Y:0.26-0.32

