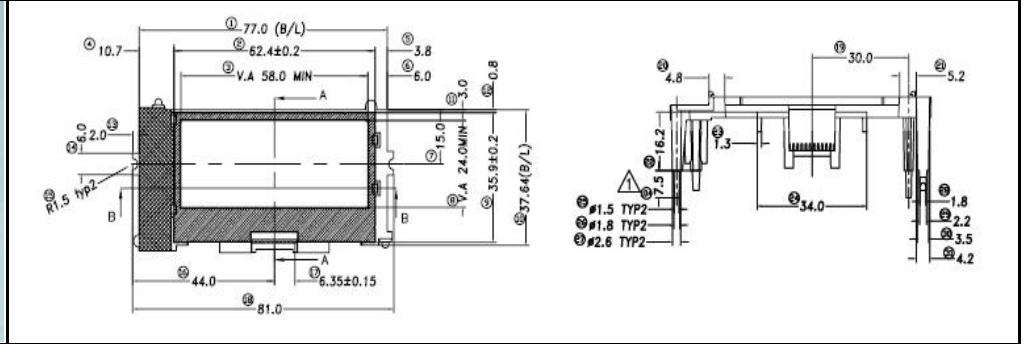


# YETDA SIDE BACKLIGHT

Part Number	Chip			cd/m <sup>2</sup>			VF (V)		
	Material	Emitter Color	λD(nm)	at I <sub>F</sub> =mA	Typ.	Max.	at I <sub>F</sub> =mA	Min.	Typ.

## 77 x 37.6mm LED Side Backlight

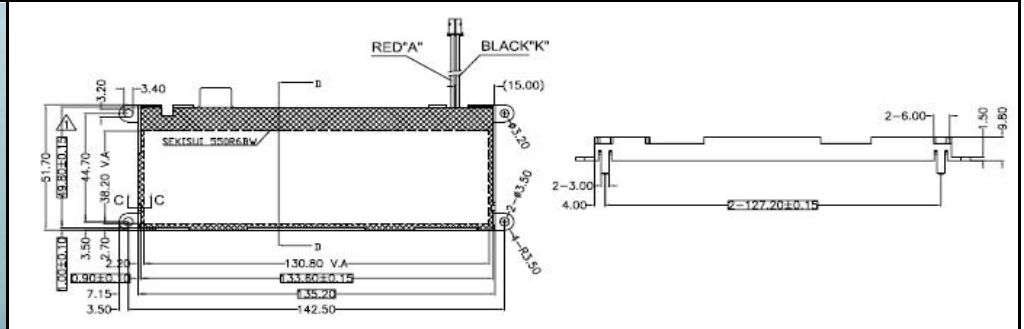
UNIT:mm



GRC11110B-2	InGaN	Blue	470	25	150		25	5	4.0
-------------	-------	------	-----	----	-----	--	----	---	-----

## 142.5 x 51.7mm LED Side Backlight

UNIT:mm



GRC11800WV02	InGaN	White	X:0.27 Y:0.32	101	1500	2000	101	30	3.5
--------------	-------	-------	------------------	-----	------	------	-----	----	-----

Light Sources: COB/SMD	
Brightness: 15-2000cd/m <sup>2</sup>	
Thickness: 1.5mm-3.5mm	
Length:20mm-150mm	
Wide:10mm-100mm	
Color	λ D
Yellow Green	569-574nm
Blue	465-475nm
Pure-Green	520-530nm
Red	620-630nm
White	X:0.26-0.32 Y:0.26-0.32

