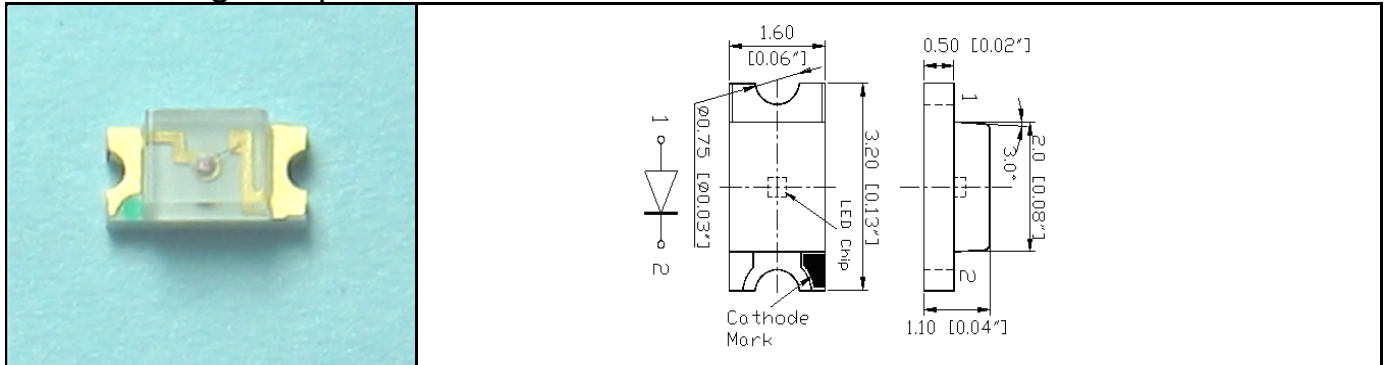


YETDA PCB TYPE SMD LED

Part Number	Chip			Lens Color	V _F (V) at I _F =20mA		I _v (mcd)			Viewing Angle 2θ 1/2 (deg.)
	Material	Emitter Color	λD(nm)		Typ.	Max.	at I _F =mA	Min.	Typ.	

1206 Package Chip LED

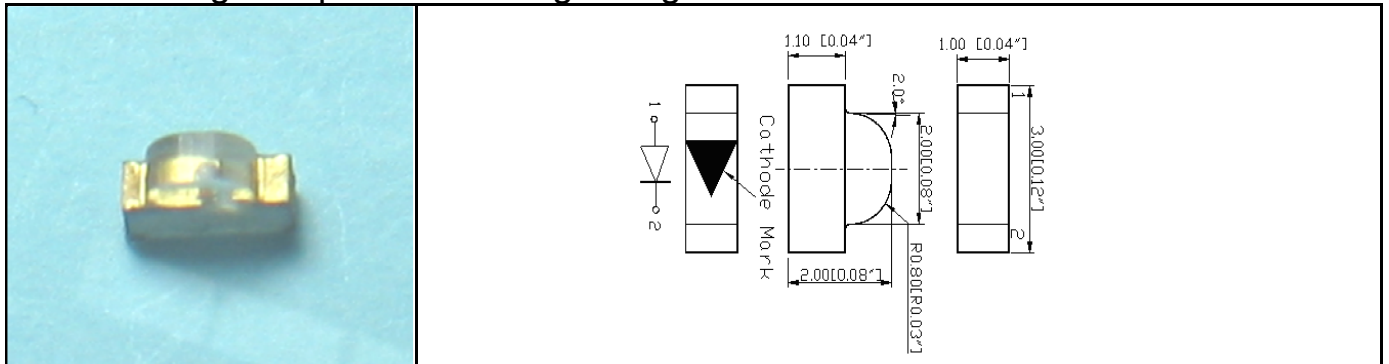
UNIT:mm



150SR4	AlGaAs/GaAs	Red	660	Water Clear	1.8	2.0	20	18	25	140
150YG4	GaP	Yellow Green	573		2.2	2.6		22	28	
150Y4	GaAsP/GaP	Yellow	590		2.1	2.6		12	18	
150A4	GaAsP/GaP	Amber	606		2.1	2.6		12	18	
Q150R4	AlGaInP	Red	625		2.0	2.4		100	130	
Q150A4	AlGaInP	Amber	606		2.0	2.4		100	130	
Q150Y4	AlGaInP	Yellow	590		2.0	2.4		100	130	
Q150YG4	AlGaInP	Yellow Green	573		2.0	2.4		50	80	
S150ANB4	InGaN	Blue	470		3.2	3.8		80	120	
S150ANG4	InGaN	Pure Green	525		3.2	3.8		220	350	
S150ANW4	InGaN	White	X:0.29 Y:0.30		3.2	3.8		250	650	

1204 Package Chip LED With Right Angle Lens

UNIT:mm



110SR4	AlGaAs/GaAs	Red	660	Water Clear	1.8	2.0	20	25	30	110
110YG4	GaP	Yellow Green	573		2.2	2.6		28	35	
110Y4	GaAsP/GaP	Yellow	590		2.1	2.6		15	20	
110A4	GaAsP/GaP	Amber	606		2.1	2.6		15	20	
Q110R4	AlGaInP	Red	625		2.0	2.4		150	200	
Q110A4	AlGaInP	Amber	606		2.0	2.4		150	200	
Q110Y4	AlGaInP	Yellow	590		2.0	2.4		150	200	
Q110YG4	AlGaInP	Yellow Green	573		2.0	2.4		80	120	
S110ANB4	InGaN	Blue	470		3.2	3.8		100	150	
S110ANG4	InGaN	Pure Green	525		3.2	3.8		300	500	
S110ANW4	InGaN	White	X:0.29 Y:0.30		3.2	3.8		300	700	