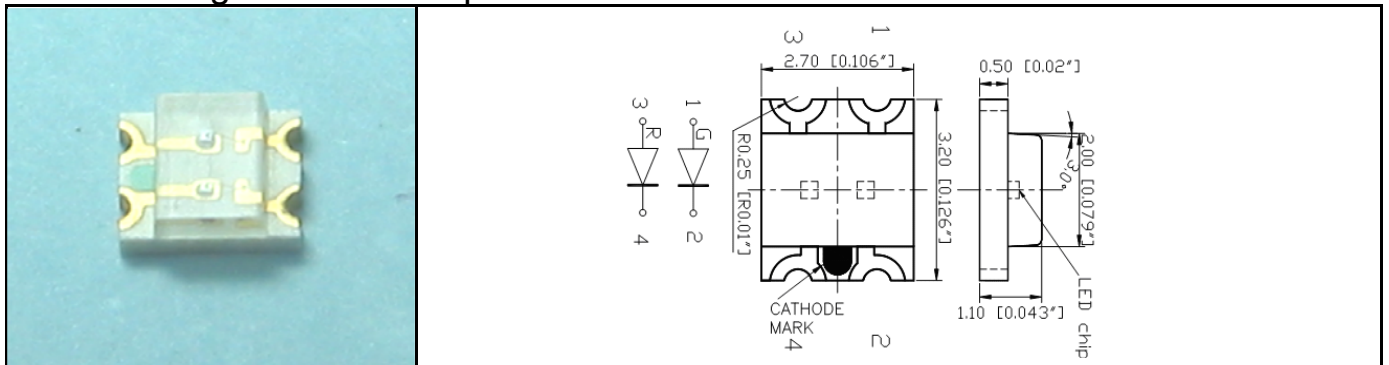


YETDA PCB TYPE SMD LED

Part Number	Chip			Lens Color	V _F (V) at I _F =20mA		I _v (mcd)			Viewing Angle 2θ 1/2 (deg.)
	Material	Emitter Color	λD(nm)		Typ.	Max.	at I _F =mA	Min.	Typ.	

1210 Package Bi-Color Chip LED

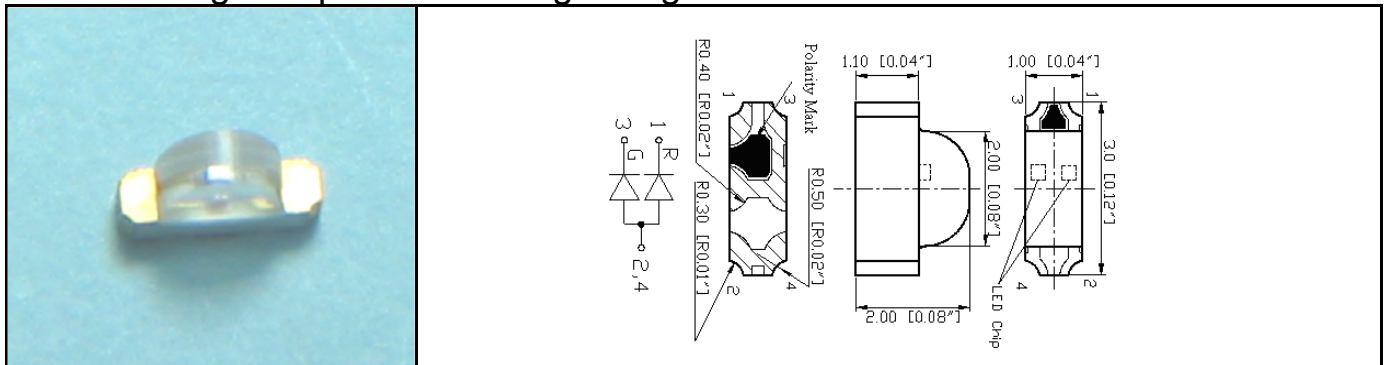
UNIT:mm



155R/YG4	AlGaAs/GaAs	Red	660	Water Clear	1.8	2.0	20	18	25	120
	GaP	Yellow Green	573		2.2	2.6		22	28	
155UR/UYG4	AlGaInP	Red	625		2.0	2.4		100	130	
	AlGaInP	Yellow Green	573		2.0	2.4		50	80	
155UR/ANB4	AlGaInP	Red	625		2.0	2.4		100	130	
	InGaN	Blue	470		3.2	3.8		80	120	
155UR/ANG4	AlGaInP	Red	625		2.0	2.4		100	130	
	InGaN	Pure Green	525		3.2	3.8		220	350	
155ANB/ANG4	InGaN	Blue	470		3.2	3.8		80	120	
	InGaN	Pure Green	525		3.2	3.8		220	350	

1204 Package Chip LED With Right Angle Lens

UNIT:mm



115R/YG4	AlGaAs/GaAs	Red	660	Water Clear	1.8	2.0	20	25	30	110
	GaP	Yellow Green	573		2.2	2.6		28	35	
115UR/UYG4	AlGaInP	Red	625		2.0	2.6		150	200	
	AlGaInP	Yellow Green	573		3.2	3.8		80	120	
115UR/ANB4	AlGaInP	Red	625		2.0	2.4		150	200	
	InGaN	Blue	470		3.2	3.8		100	150	
115UR/ANG4	AlGaInP	Red	625		2.0	2.4		150	200	
	InGaN	Pure Green	525		3.2	3.8		300	500	
115ANB/ANG4	InGaN	Blue	470		3.2	3.8		100	150	
	InGaN	Pure Green	525		3.2	3.8		300	500	