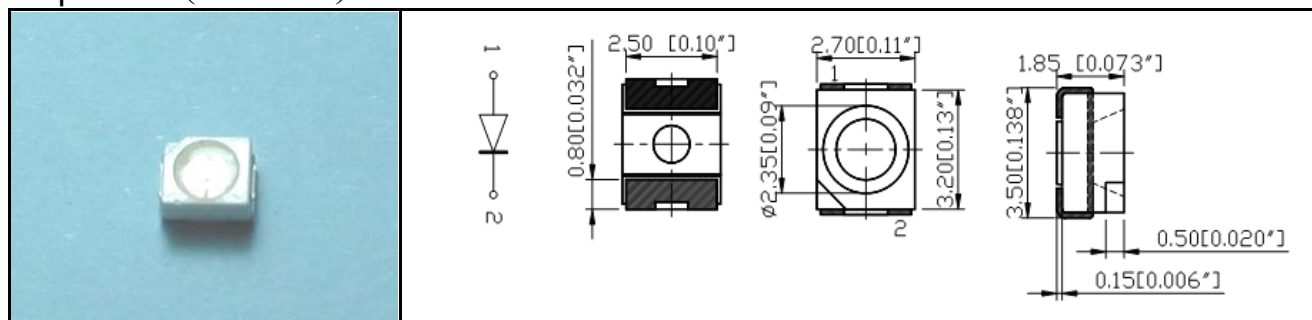


# YETDA REFLECTOR TYPE SMD LED

| Part Number | Chip     |               |                     | Lens Color | V <sub>F</sub> (V) at I <sub>F</sub> =20mA |      | I <sub>v</sub> (mcd)  |      |      | Viewing Angle<br>2θ 1/2 (deg.) |
|-------------|----------|---------------|---------------------|------------|--|------|-----------------------|------|------|--------------------------------|
|             | Material | Emitter Color | λ <sub>D</sub> (nm) |            | Typ.                                       | Max. | at I <sub>F</sub> =mA | Min. | Typ. |                                |

## Top LED ( PLCC-2)

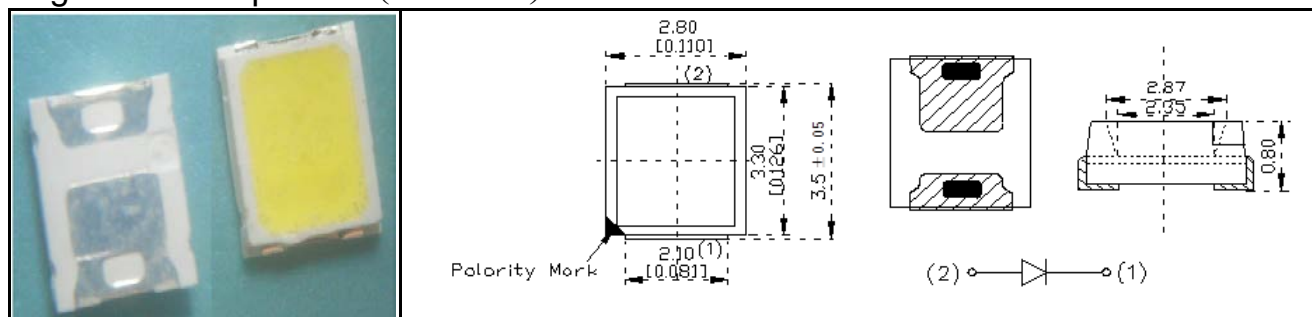
UNIT:mm



|          |         |            |                  |             |     |     |    |      |      |     |
|----------|---------|------------|------------------|-------------|-----|-----|----|------|------|-----|
| Q776R4   | AlGaInP | Red        | 625              | Water Clear | 2.0 | 2.4 | 20 | 350  | 520  | 120 |
| Q776Y4   | AlGaInP | Yellow     | 590              |             | 2.0 | 2.4 |    | 600  | 740  |     |
| S776ANB4 | InGaN   | Blue       | 470              |             | 3.2 | 3.8 |    | 210  | 280  |     |
| S776ANG4 | InGaN   | Pure Green | 525              |             | 3.2 | 3.8 |    | 600  | 1000 |     |
| S776ANW4 | InGaN   | White      | X:0.29<br>Y:0.30 |             | 3.2 | 3.8 |    | 1600 | 2200 |     |

## High Power Top LED ( PLCC-2)

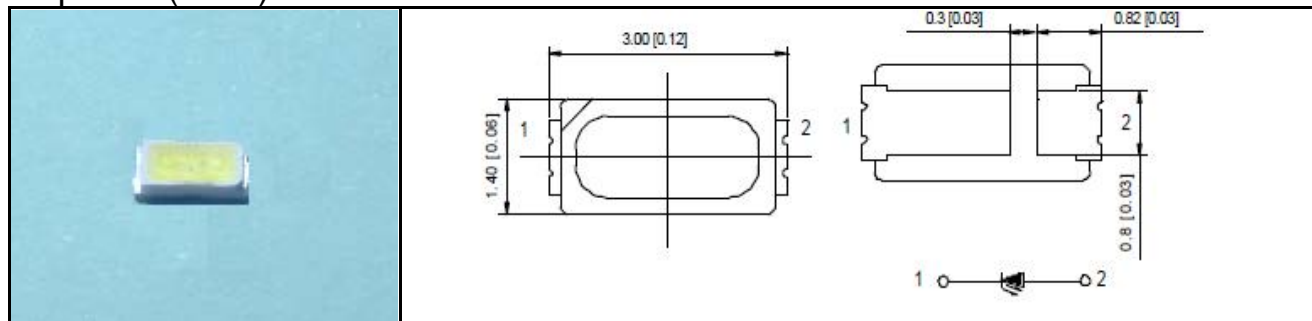
UNIT:mm



|           |       |       |                  |             |     |     |    |      |      |     |
|-----------|-------|-------|------------------|-------------|-----|-----|----|------|------|-----|
| S2835YNW4 | InGaN | White | X:0.29<br>Y:0.30 | Water Clear | 3.2 | 3.8 | 60 | 6200 | 7800 | 120 |
|-----------|-------|-------|------------------|-------------|-----|-----|----|------|------|-----|

## Top LED (3014)

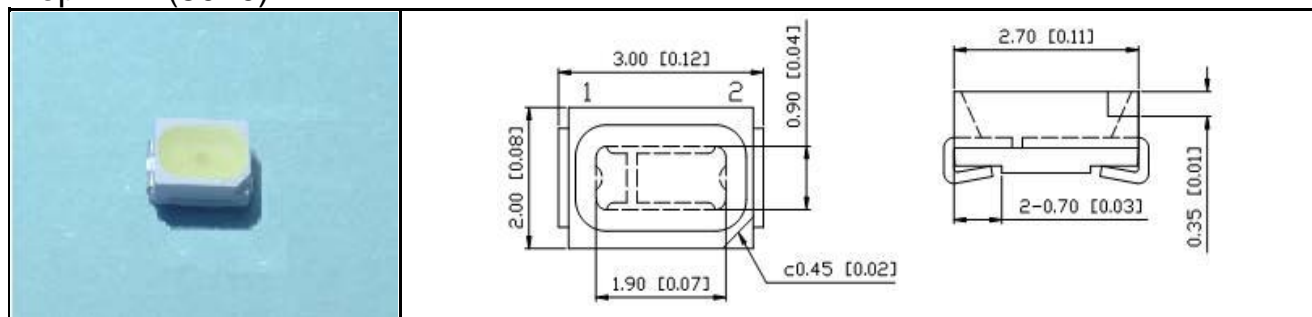
UNIT:mm



|           |       |       |                  |             |     |     |    |      |      |     |
|-----------|-------|-------|------------------|-------------|-----|-----|----|------|------|-----|
| S3014ANW4 | InGaN | White | X:0.32<br>Y:0.33 | Water Clear | 3.2 | 3.8 | 30 | 3200 | 3600 | 120 |
|-----------|-------|-------|------------------|-------------|-----|-----|----|------|------|-----|

## Top LED (3020)

UNIT:mm



|           |       |       |                  |             |     |     |    |     |     |     |
|-----------|-------|-------|------------------|-------------|-----|-----|----|-----|-----|-----|
| S3020ANW4 | InGaN | White | X:0.28<br>Y:0.29 | Water Clear | 3.2 | 3.8 | 30 | 320 | 560 | 120 |
|-----------|-------|-------|------------------|-------------|-----|-----|----|-----|-----|-----|

