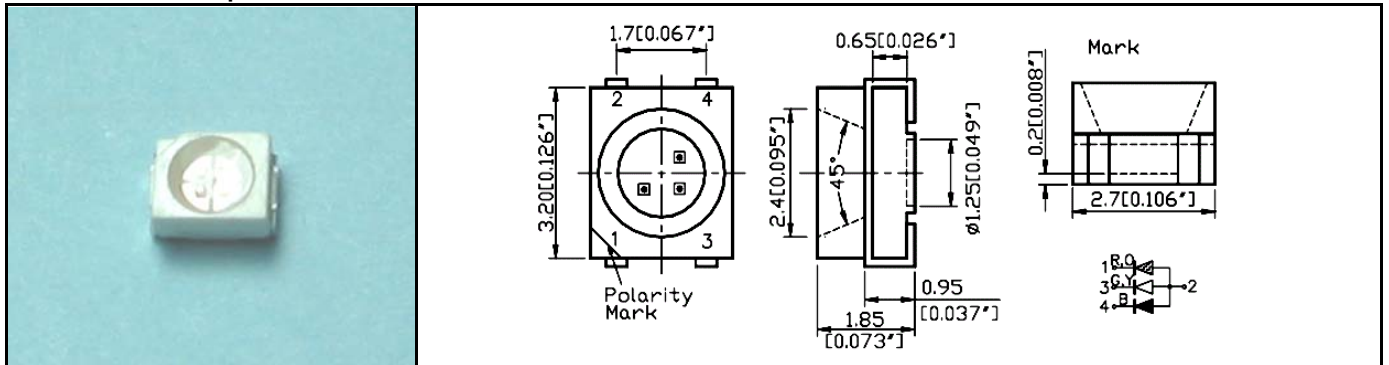


YETDA REFLECTOR TYPE SMD LED

Part Number	Chip			Lens Color	V _F (V) at I _F =20mA		I _v (mcd)			Viewing Angle 2θ 1/2 (deg.)
	Material	Emitter Color	λD(nm)		Typ.	Max.	at I _F =mA	Min.	Typ.	

Full Color Top LED (PLCC-4)

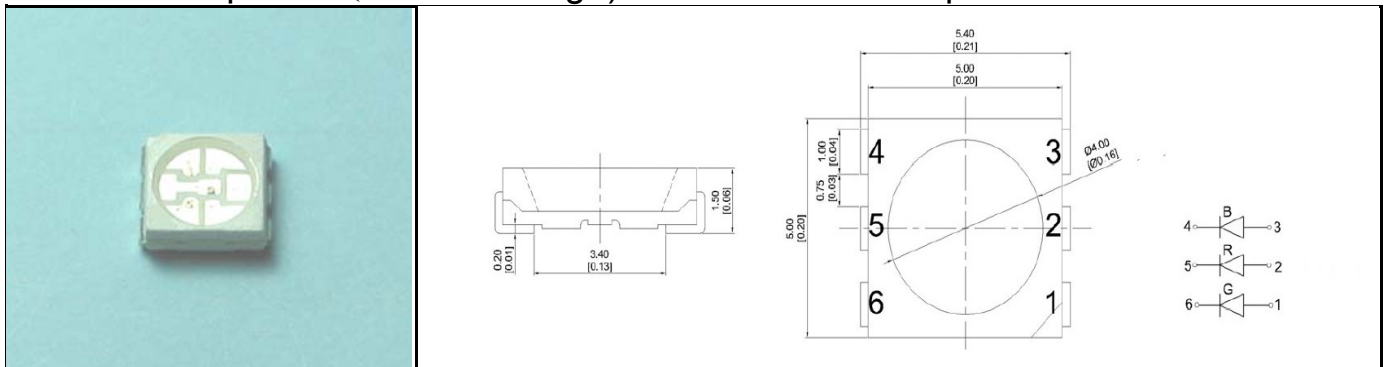
UNIT:mm



776UR/ANG/ANB4	AlGaInP	Red	625	Water Clear	2.0	2.4	20	125	230	120
	InGaIn	Pure Green	525		3.2	3.8		500	970	
	InGaIn	Blue	470		3.2	3.8		80	150	

Full Color Top LED (5060 Package) & Middle Power Top LED

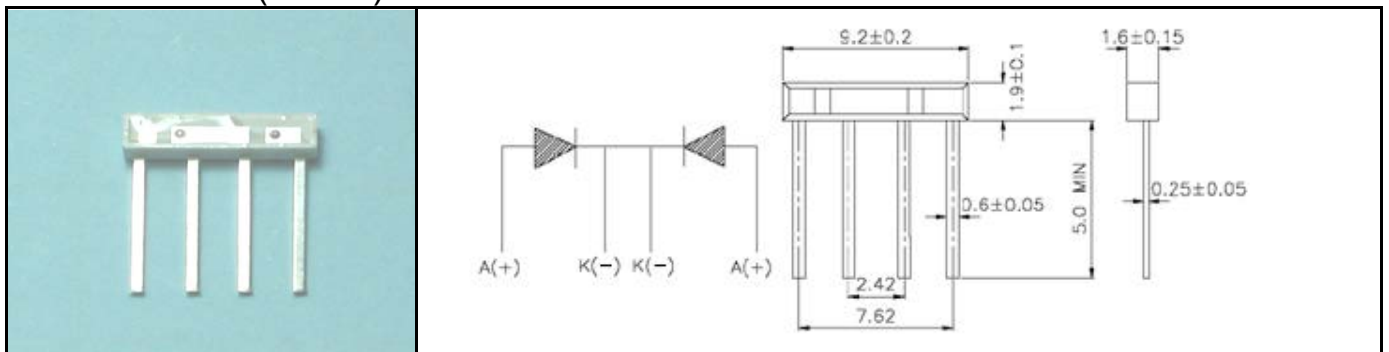
UNIT:mm



5060RGB	AlGaInP	Red	625	Water Clear	2.0	2.4	20	270	400	120
	InGaIn	Pure Green	525		3.2	3.8		600	800	
	InGaIn	Blue	470		3.2	3.8		150	200	
S5060ANW4	InGaIn	White	X:0.29 Y:0.30		3.2	3.8	60	2900	4100	100

Reflector LED (4 Pins)

UNIT:mm



S022ANW4-4	InGaIn	White	X:0.29 Y:0.30		3.2	3.8	20	300	450	120
Q022R4-4	AlGaInP	Red	625	Water Clear	2.0	2.4		100	150	
Q022A4-4	AlGaInP	Amber	606		2.0	2.4		80	140	
Q022Y4-4	AlGaInP	Yellow	590		2.0	2.4		80	140	
Q022YG4-4	AlGaInP	Yellow Green	573		2.0	2.4		40	85	