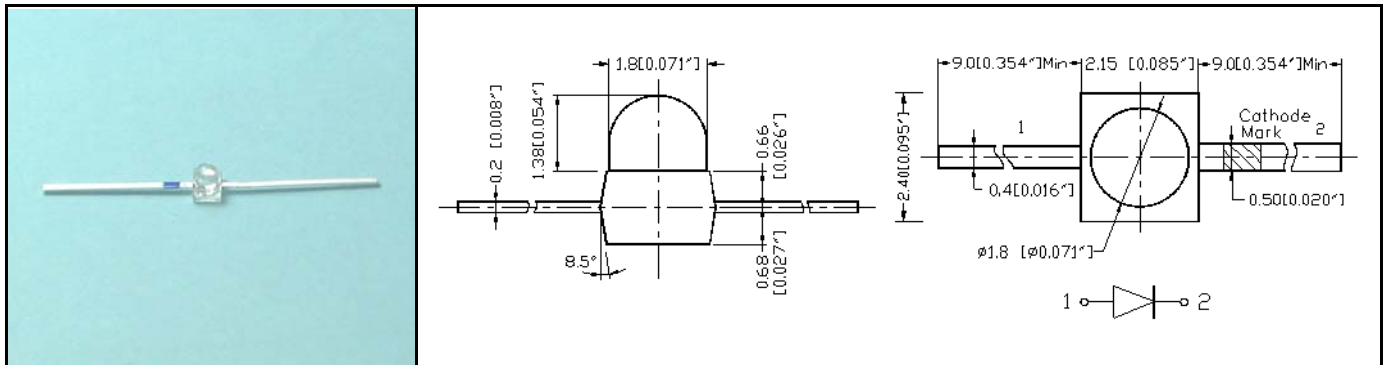


YETDA LEAD TYPE SMD LED (AXIAL TYPE)

Part Number	Chip			Lens Color	V _f (V) at I _F =20mA		I _v (mcd)			Viewing Angle 2θ 1/2 (deg.)
	Material	Emitter Color	λD(nm)		Typ.	Max.	at I _F =mA	Min.	Typ.	

1.8mm Round Subminiature Axial LED

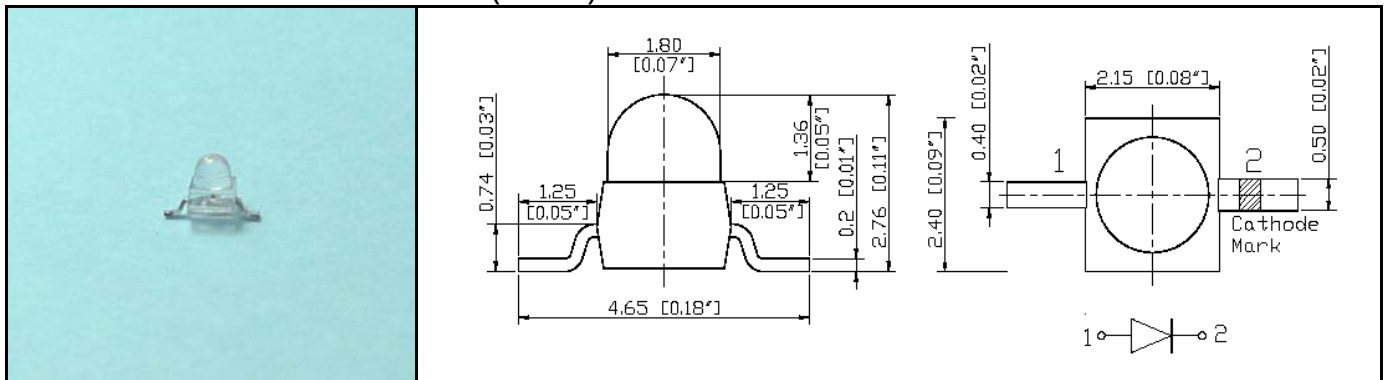
UNIT:mm



2033SR4	AlGaAs/GaAs	Red	660	Water Clear	1.8	2.0	20	200	500	30
2033YG4	GaP	Yellow Green	573		2.2	2.6		200	500	
2033Y4	GaAsP/GaP	Yellow	590		2.1	2.6		200	500	
2033A4	GaAsP/GaP	Amber	606		2.1	2.6		200	500	
Q2033R4	AlGaInP	Red	625		2.0	2.4		800	1000	
Q2033A4	AlGaInP	Amber	606		2.0	2.4		800	1000	
Q2033Y4	AlGaInP	Yellow	590		2.0	2.4		800	1000	
Q2033YG4	AlGaInP	Yellow Green	573		2.0	2.4		800	1000	
S2033ANB4	InGaN	Blue	470		3.2	3.8		1000	1500	
S2033ANG4	InGaN	Pure Green	525		3.2	3.8		1200	1800	
S2033ANW4	InGaN	White	X:0.29 Y:0.30		3.2	3.8		1000	2000	

1.8mm Round Subminiature (Yoke) Lead LED

UNIT:mm



2033SR4-02E	AlGaAs/GaAs	Red	660	Water Clear	1.8	2.0	20	200	500	30
2033YG4-02E	GaP	Yellow Green	573		2.2	2.6		200	500	
2033Y4-02E	GaAsP/GaP	Yellow	590		2.1	2.6		200	500	
2033A4-02E	GaAsP/GaP	Amber	606		2.1	2.6		200	500	
Q2033R4-02E	AlGaInP	Red	625		2.0	2.4		800	1000	
Q2033A4-02E	AlGaInP	Amber	606		2.0	2.4		800	1000	
Q2033Y4-02E	AlGaInP	Yellow	590		2.0	2.4		800	1000	
Q2033YG4-02E	AlGaInP	Yellow Green	573		2.0	2.4		800	1000	
S2033ANB4-02E	InGaN	Blue	470		3.2	3.8		1000	1500	
S2033ANG4-02E	InGaN	Pure Green	525		3.2	3.8		1200	1800	
S2033ANW4-02E	InGaN	White	X:0.29 Y:0.30		3.2	3.8		1000	2000	