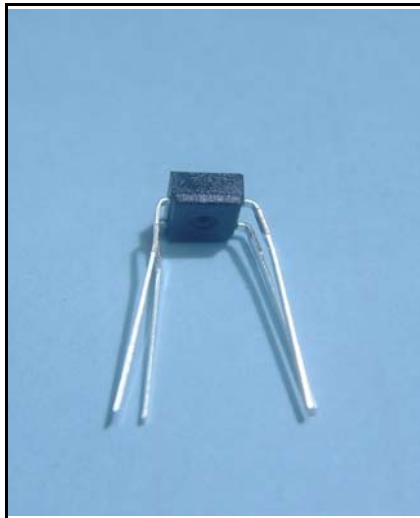
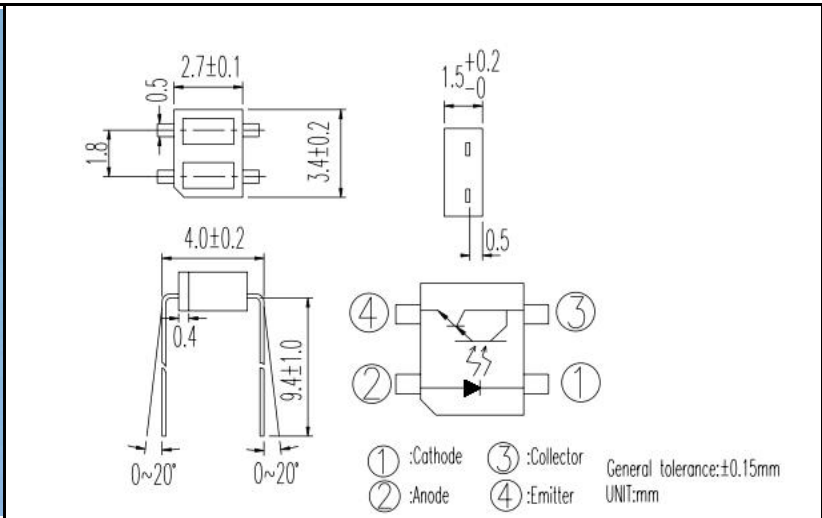


YETDA INFRARED LED REFLECTIVE SENSOR

Part Number	V_F	V_F	$V_{CE(SAT)}$	$I_{C(ON)}$	I_{CEO}
	Typ (V)	Max (V)	Max(V)	Min (mA)	Max (nA)

INFRARED LED REFLECTIVE SENSOR

UNIT:mm


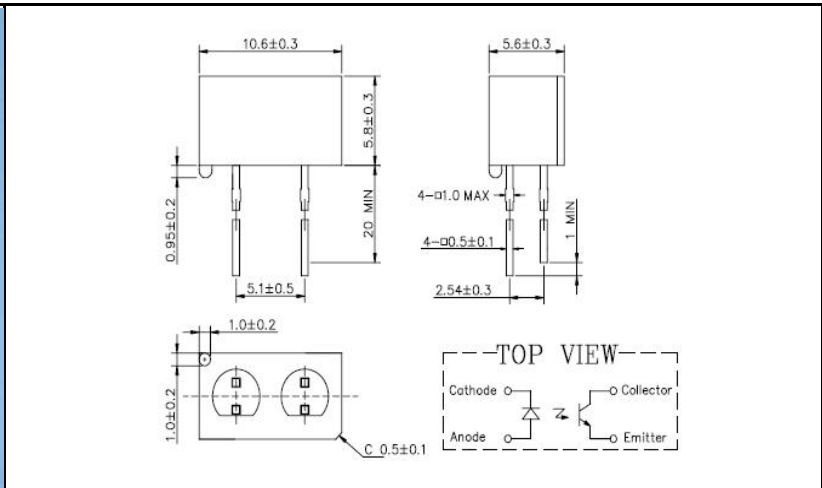
① :Cathode ③ :Collector
② :Anode ④ :Emitter

General tolerance:±0.15mm
UNIT:mm

RT0302S-F	1.2	1.6	0.4	1.25	400
-----------	-----	-----	-----	------	-----

INFRARED LED REFLECTIVE SENSOR

UNIT:mm

---TOP VIEW---

Cathode Collector
Anode Emitter

RT9908S-F	1.2	1.5	0.4	0.2	100
-----------	-----	-----	-----	-----	-----