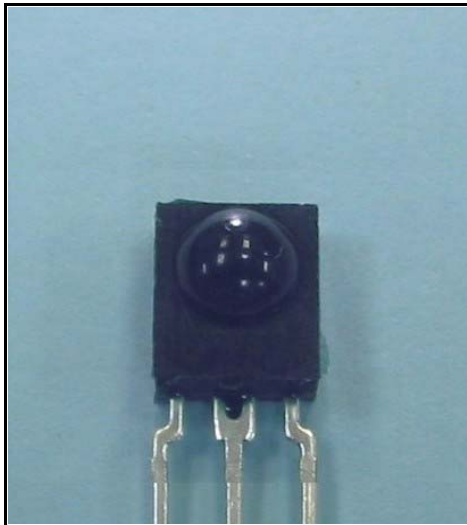
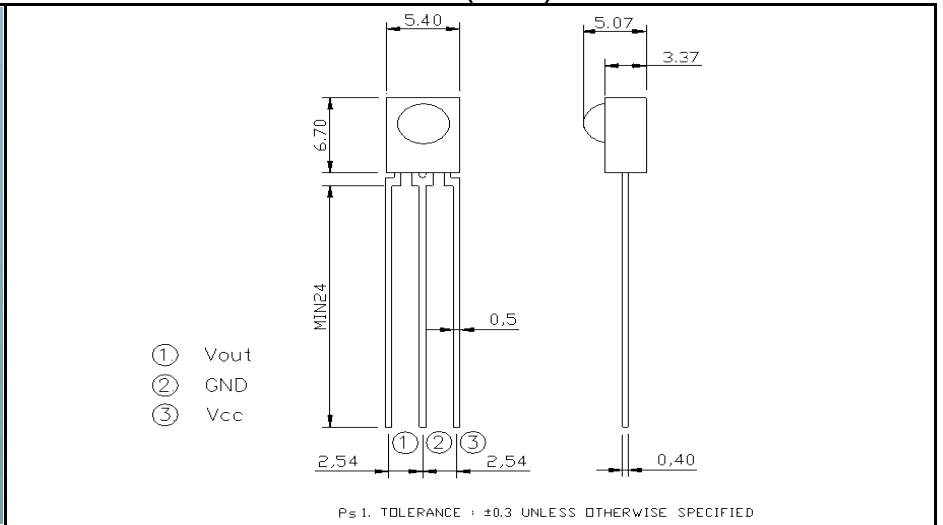


YETDA INFRARED REMOTE CONTROL RECEIVER MODULE (IRM)

Part Number	Carrier Frequency (KHZ)	Supply Voltage Typ.(V)	Supply Current Max.(mA)	Reception Distance Min(m)	Viewing Angle 2θ 1/2 (deg.)
-------------	-------------------------	------------------------	-------------------------	---------------------------	-----------------------------

INFRARED REMOTE CONTROL RECEIVER MODULE(IRM)

UNIT:mm

① Vout
② GND
③ Vcc

MIN24

5.40

6.70

5.07

3.37

0.5

2.54

① ② ③

2.54

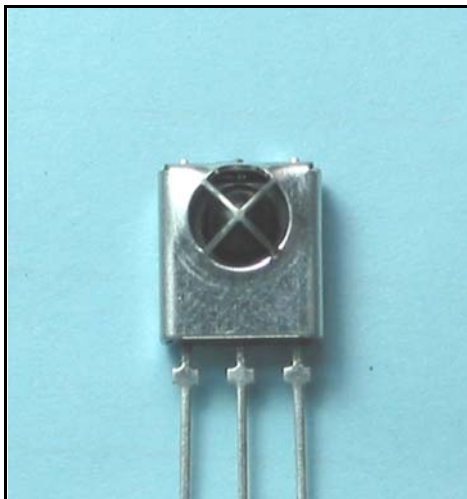
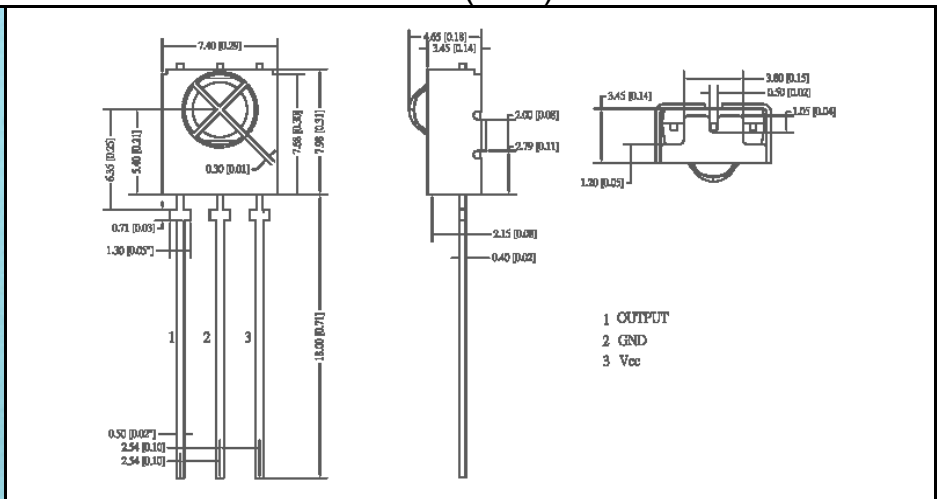
0.40

Ps 1. TOLERANCE : ±0.3 UNLESS OTHERWISE SPECIFIED

T1838	38	3.0 - 5.0	2.0	18	90
K1838	38	3.0 - 5.0	2.0	15	90

INFRARED REMOTE CONTROL RECEIVER MODULE(IRM)

UNIT:mm

7.40 [0.29]

6.65 [0.26]

5.40 [0.21]

0.30 [0.01]

7.68 [0.30]

7.98 [0.31]

0.71 [0.03]

1.30 [0.05]

1

2

3

1.00 [0.01]

0.50 [0.02]

2.54 [0.10]

2.54 [0.10]

4.65 [0.18]

3.45 [0.14]

2.60 [0.08]

2.79 [0.11]

2.15 [0.08]

0.40 [0.02]

3.45 [0.14]

3.80 [0.15]

0.50 [0.02]

1.25 [0.05]

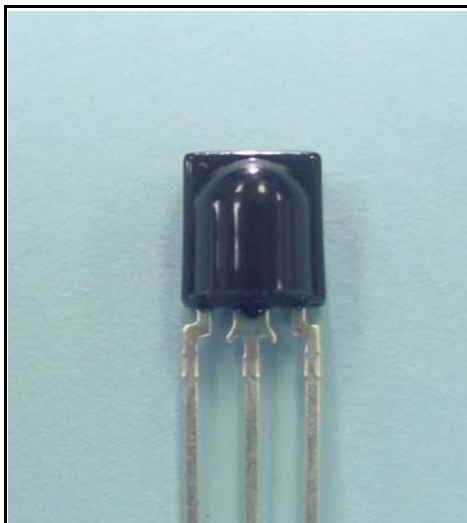
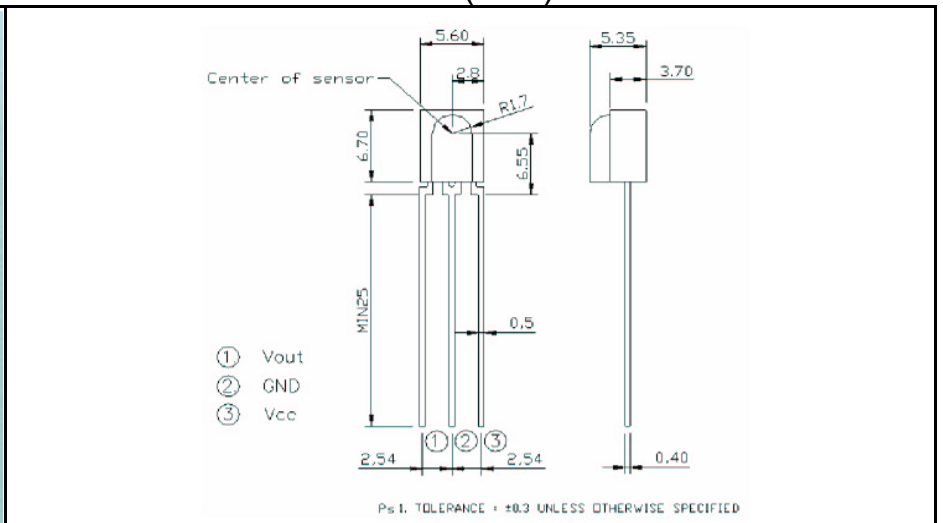
1.20 [0.05]

1 OUTPUT
2 GND
3 Vcc

T1838M	38	3.0 - 5.0	2.0	18	90
K1838M	38	3.0 - 5.0	2.0	15	90

INFRARED REMOTE CONTROL RECEIVER MODULE(IRM)

UNIT:mm

Center of sensor

5.60

2.8

R1.7

6.70

6.55

5.35

3.70

0.5

MIN25

① Vout
② GND
③ Vcc

2.54

① ② ③

2.54

0.40

Ps 1. TOLERANCE : ±0.3 UNLESS OTHERWISE SPECIFIED

K3738	38	3.0 - 5.0	2.0	12	90
-------	----	-----------	-----	----	----