



YETDA INDUSTRY LTD.

8mm Blue LED Lamps 800TB1D

8mm With Blue Dice,
Encapsulated with Blue Diffused Color Package,
Long Leads.

Absolute Maximum Ratings :

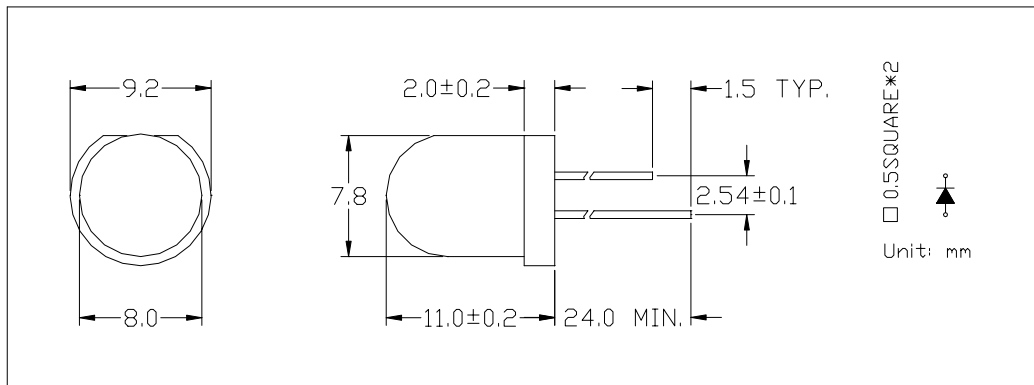
Parameter	Maximum Rating	Unit
Peak Forward Current	120	mA
Continuous Forward Current	30	mA
Operating Temperature Range	- 40 to + 85	
Storage Temperature Range	- 50 to + 100	
Lead Soldering Temperature	260 for 3 seconds 1.6mm(0.063 inch) from body	

Electro-Optical Characteristics (Ta = 25)

Parameter Radiant	Test Condition	Symbol	Min.	Typ.	Max.	Unit
Forward Voltage	If = 20mA	Vf	3.0	3.4	3.8	V
Reverse Current	Vr = 5V	Ir			10	uA
Luminous Intensity	If = 20mA	Iv	1500	2000	3000	mcd
Spectral Bandwidth	If = 20mA	$\Delta\lambda$		35		nm
Wavelength	If = 20mA	λ_p		465		nm
		λ_d				nm
Half View Angle	If = 20mA	2 θ 1/2		30		deg

Package

Item: (8mm) 800



20090504