



YETDA INDUSTRY LTD.

**FOUR PINS Super Bright Red LED Lamps
Q106RBL4U**

Super Bright Red Dice ◦

Encapsulated with Water Clear Package ◦

Absolute Maximum Ratings :

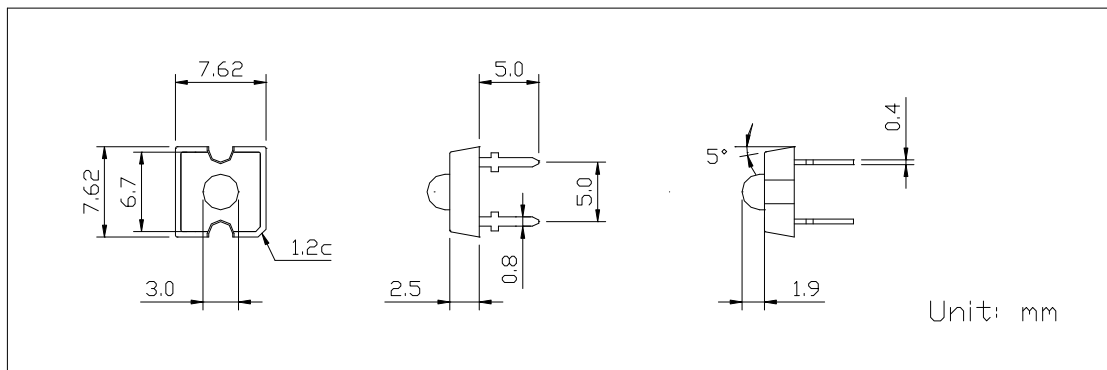
Parameter	Maximum Rating	Unit
Peak Forward Current	120	mA
Continuous Forward Current	30	mA
Operating Temperature Range	-20°C to +75°C	
Storage Temperature Range	-40°C to +100°C	
Lead Soldering Temperature	260°C for 3 seconds 1.6mm(0.063 inch) from body	

Electro-Optical Characteristics (Ta = 25°C)

Parameter Radiant	Test Condition	Symbol	Min.	Typ.	Max.	Unit
Forward Voltage	If = 20mA	Vf		2.2	2.5	V
Reverse Current	Vr = 5V	Ir			20	uA
Luminous Intensity	If = 20mA	Iv	2500	2800		mcd
Spectral Bandwidth	If = 20mA	$\Delta\lambda$				nm
Wavelength	If = 20mA	λ_p		625		nm
		λ_d				nm
Half View Angle	If = 20mA	2 $\theta_{1/2}$		40		deg

Package

Item: 106



20090507