



YETDA INDUSTRY LTD.

FOUR PINS Super Bright Yellow LED Lamp Q114ANY4U-3

Super Bright Yellow Dice ◦

Encapsulated with Water Clear Package ◦

Absolute Maximum Ratings :

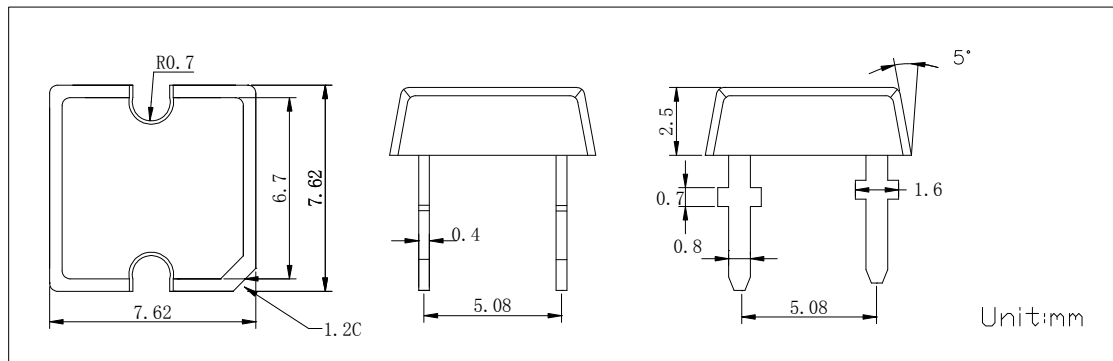
Parameter	Maximum Rating	Unit
Peak Forward Current	300	mA
Continuous Forward Current	60	mA
Operating Temperature Range	-20°C to +75°C	
Storage Temperature Range	-40°C to +100°C	
Lead Soldering Temperature	260°C for 3 seconds 1.6mm(0.063 inch) from body	

Electro-Optical Characteristics (Ta = 25°C)

Parameter Radiant	Test Condition	Symbol	Min.	Typ.	Max.	Unit
Forward Voltage	If = 60mA	Vf	1.9	2.1	2.4	V
Reverse Current	Vr = 5V	Ir			10	uA
Luminous flux	If = 60mA	Iv	1200	1500		lm
Spectral Bandwidth	If = 60mA	φV				nm
Wavelength	If = 60mA	λp	588		592	nm
		λd				nm
Half View Angle	If = 60mA	2 θ1/2		135		deg

Package

Item: 114



20090507