



YETDA INDUSTRY LTD.

**FOUR PINS Super Bright White LED Lamps  
Q118ANH4U**

Super Bright Orange Dice ◦

Encapsulated with Water Clear Package ◦

**Absolute Maximum Ratings :**

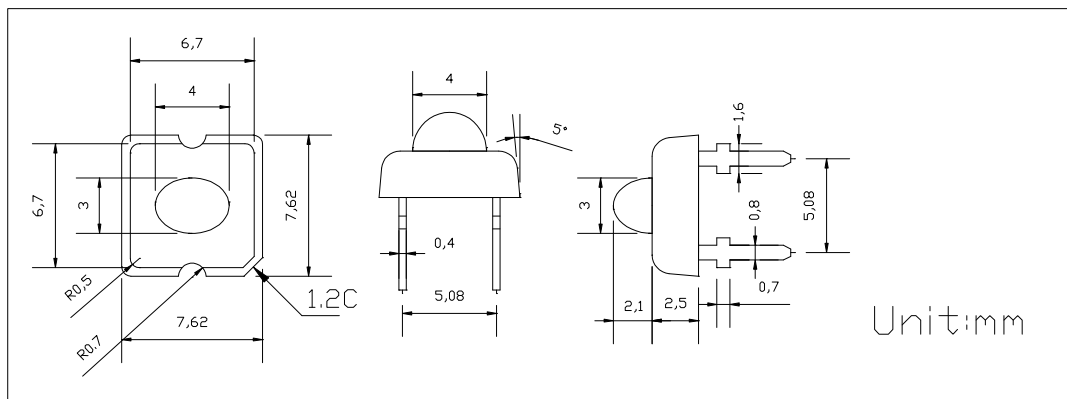
Parameter	Maximum Rating	Unit
Peak Forward Current	120	mA
Continuous Forward Current	30	mA
Operating Temperature Range	-20°C to +75°C	
Storage Temperature Range	-40°C to +100°C	
Lead Soldering Temperature	260°C for 3 seconds 1.6mm(0.063 inch) from body	

**Electro-Optical Characteristics (Ta = 25°C )**

Parameter Radiant	Test Condition	Symbol	Min.	Typ.	Max.	Unit
Forward Voltage	If = 20mA	Vf	1.8	2.0	2.4	V
Reverse Current	Vr = 5V	Ir			10	uA
Luminous Intensity	If = 20mA	Iv	200	300		mcd
Spectral Bandwidth	If = 20mA	$\Delta\lambda$				nm
Wavelength	If = 20mA	$\lambda_p$		625		nm
		$\lambda_d$				nm
Half View Angle	If = 20mA	2 $\theta_{1/2}$		X:35 Y:80		deg

Package

Item:118



20090507