



# YETDA INDUSTRY LTD.

## Technical Data Sheet

MODEL NO : Q126NEZ4U

126 Super Flux 4 Pins LED LAMP

Features :

- Compatible with automatic placement equipment
- Compatible with reflow solder process

Applications :

- Indicators

Dice material	Emitted color	Lens Color
AlGaInP	Yellow	Water Clear

Electrical/Optical Characteristics(Ta=25°C)

Parameter	Test Condition	Symbol	Value			Unit
			Min	Typ	Max	
Dominant wavelength	I <sub>F</sub> =20mA	$\lambda_D$	587		596	nm
Forward voltage	I <sub>F</sub> =20mA	V <sub>F</sub>		2.4	2.4	V
Luminous Intensity	I <sub>F</sub> =20mA	$\phi_V$		4000		mcd
Viewing angle at 50% I <sub>v</sub>	I <sub>F</sub> =20mA	2 $\theta$ 1/2		30		Deg
Reverse current	V <sub>R</sub> =5V	I <sub>R</sub>			100	$\mu$ A

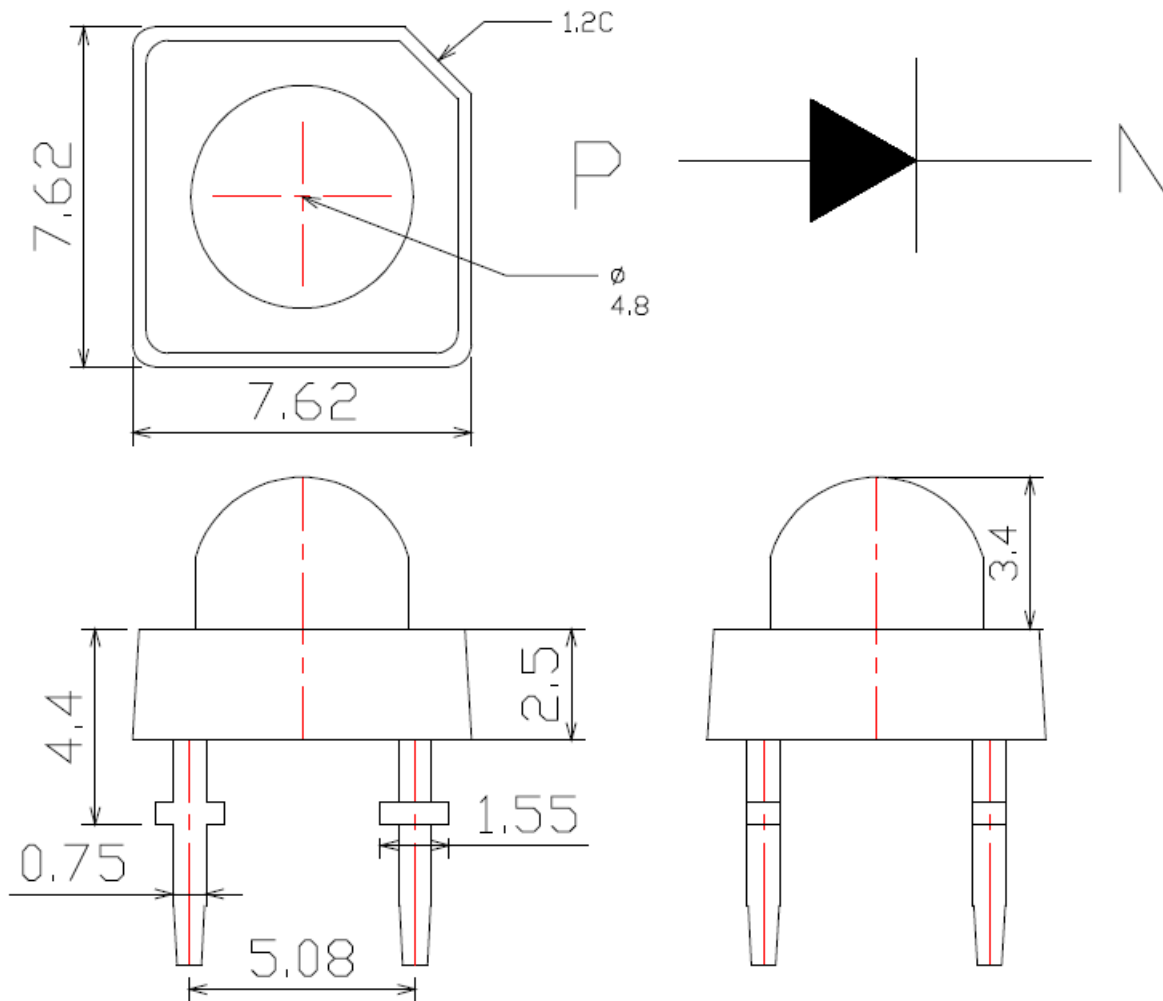


YETDA INDUSTRY LTD.

Absolute Maximum Ratings(Ta=25°C)

Parameter	Symbol	Value	Unit
Power dissipation	Pd	120	mW
Forward current	IF	30	mA
Reverse voltage	VR	5	V
Operating temperature range	Top	-20 ~+75	°C
Storage temperature range	Tstg	-30 ~+85	°C
Peak pulsing current (1/8 duty f=1kHz)	IFP	100	mA

PACKAGING DIMENSIONS (mm):





## Typical Electro-Optical Characteristics Curve:

### ■ Typical Electro-Optical Characteristics Curve:

Fig 1. Forward Current vs. Forward Voltage

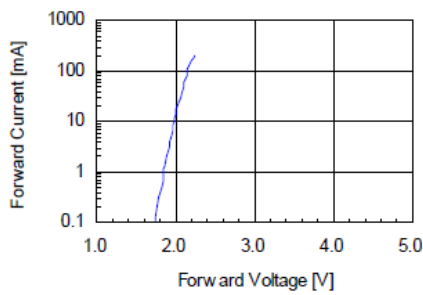


Fig 2. Relative Intensity vs. Forward Current

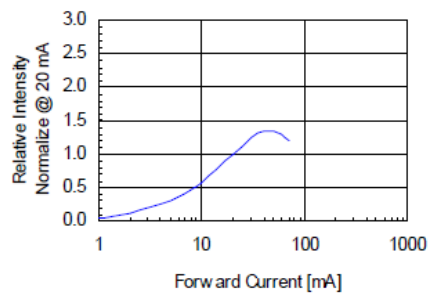


Fig 3. Forward Voltage vs. Temperature

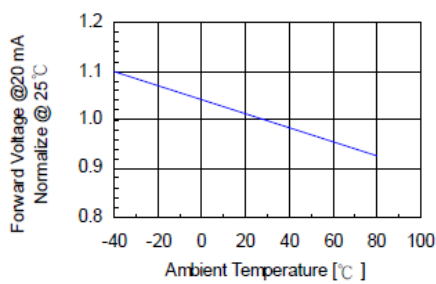


Fig 4. Relative Intensity vs. Temperature

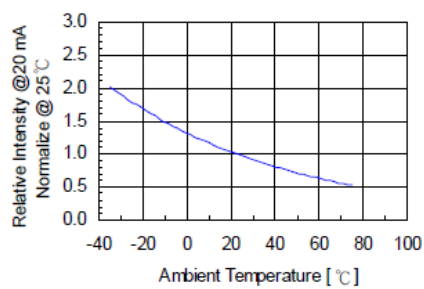


Fig 5. Relative Intensity vs. Wavelength

