



YETDA INDUSTRY LTD.

**FOUR PINS Super Bright White LED Lamps  
S106TW4U-C**

Super Bright Blue Dice ◦

Encapsulated with Water Clear Package ◦

**Absolute Maximum Ratings :**

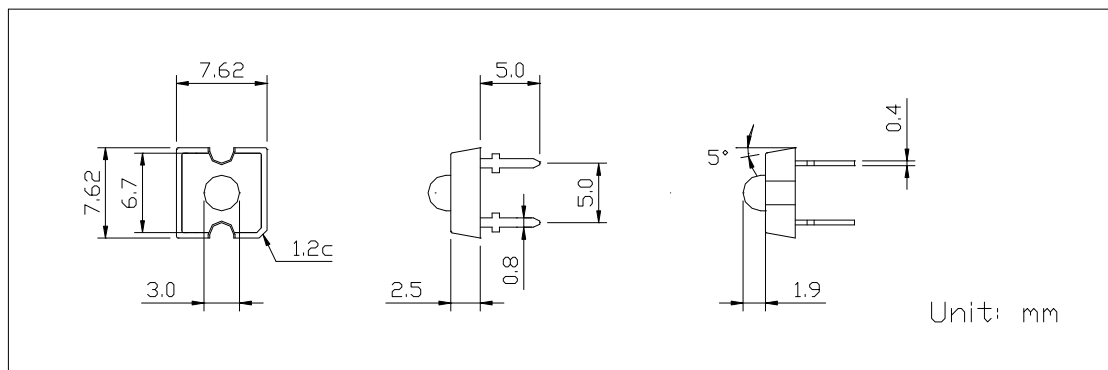
Parameter	Maximum Rating	Unit
Peak Forward Current	120	mA
Continuous Forward Current	30	mA
Operating Temperature Range	-20°C to +75°C	
Storage Temperature Range	-40°C to +100°C	
Lead Soldering Temperature	260°C for 3 seconds 1.6mm(0.063 inch) from body	

**Electro-Optical Characteristics (Ta = 25°C)**

Parameter Radiant	Test Condition	Symbol	Min.	Typ.	Max.	Unit
Forward Voltage	If = 20mA	Vf	2.8	3.4	3.8	V
Reverse Current	Vr = 5V	Ir			20	uA
Luminous Intensity	If = 20mA	Iv	2000	3000		mcd
Spectral Bandwidth	If = 20mA	$\Delta\lambda$				nm
Wavelength	If = 20mA	X		0.29		
		Y		0.30		
Half View Angle	If = 20mA	2 $\theta$ 1/2		40		deg

**Package**

Item: 106



20090507