



YETDA INDUSTRY LTD.

Technical Data Sheet

MODEL NO : S113G4U

113 Package 4 Pins LED LAMP

Features :

- Compatible with automatic placement equipment
- Compatible with reflow solder process

Applications :

- Indicators

Dice material	Emitted color	Lens Color
InGaN	Pure Green	Water Clear

Electrical/Optical Characteristics(Ta=25°C)

Parameter	Test Condition	Symbol	Value			Unit
			Min	Typ	Max	
Dominant wavelength	I _F =20mA	λ_D		525		nm
Forward voltage	I _F =20mA	V _F		3.2	3.8	V
Luminous intensity	I _F =20mA	I _v	2000	3000		mcd
Viewing angle at 50% I _v	I _F =10mA	2 θ 1/2		70		Deg
Reverse current	V _R =5V	I _R			10	μ A



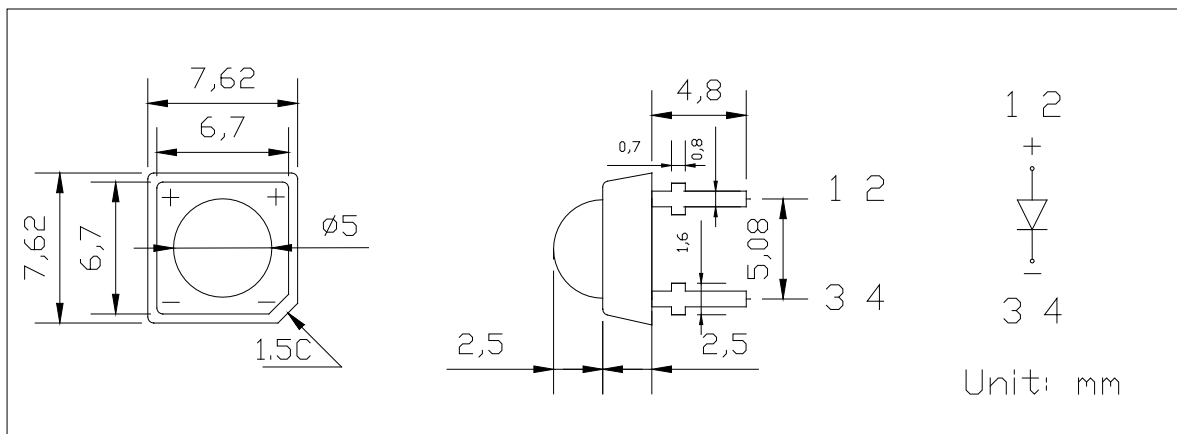
YETDA INDUSTRY LTD.

Absolute Maximum Ratings(Ta=25°C)

Parameter	Symbol	Value	Unit
Power dissipation	Pd	100	mW
Forward current	I _F	25	mA
Reverse voltage	V _R	5	V
Operating temperature range	T _{op}	-20 ~+75	°C
Storage temperature range	T _{stg}	-30 ~+85	°C
Peak pulsing current (1/8 duty f=1kHz)	I _{FP}	100	mA

PACKAGING DIMENSIONS (mm):

Item:113





YETDA INDUSTRY LTD.

Typical Electro-Optical Characteristics Curve:

Fig 1. Forward Current vs. Forward Voltage

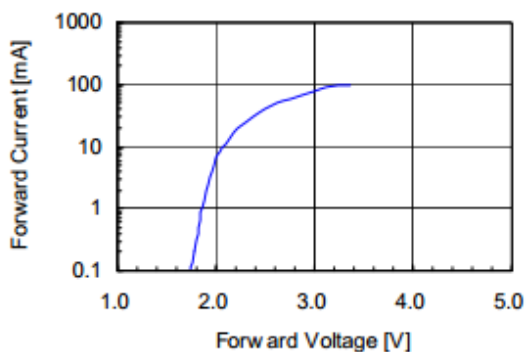


Fig 2. Relative Intensity vs. Forward Current

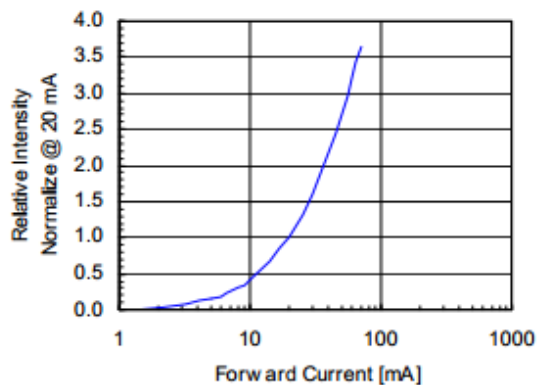


Fig 3. Forward Voltage vs. Temperature

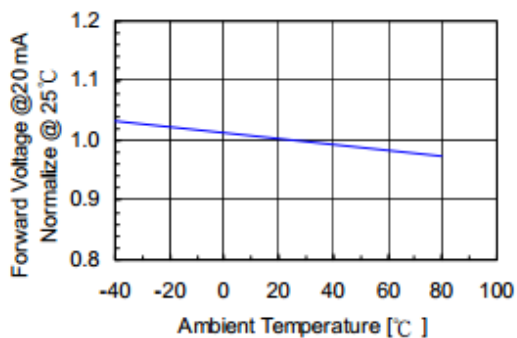


Fig 4. Relative Intensity vs. Temperature

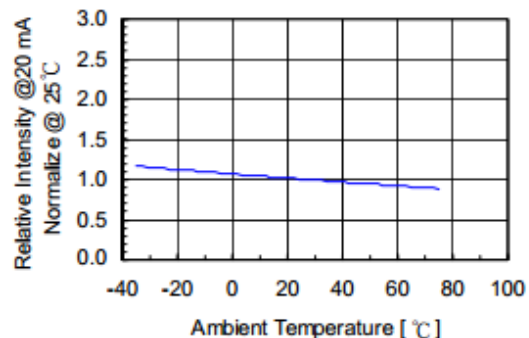


Fig 5. Relative Intensity vs. Wavelength

