

YETDA INDUSTRY LTD.

3mm Pure-Green Super Bright LED Lamps S300TG4G

3mm with InGaN dice ◦

Encapsulated with water clear lens package ◦

Long Leads ◦

Absolute Maximum Ratings :

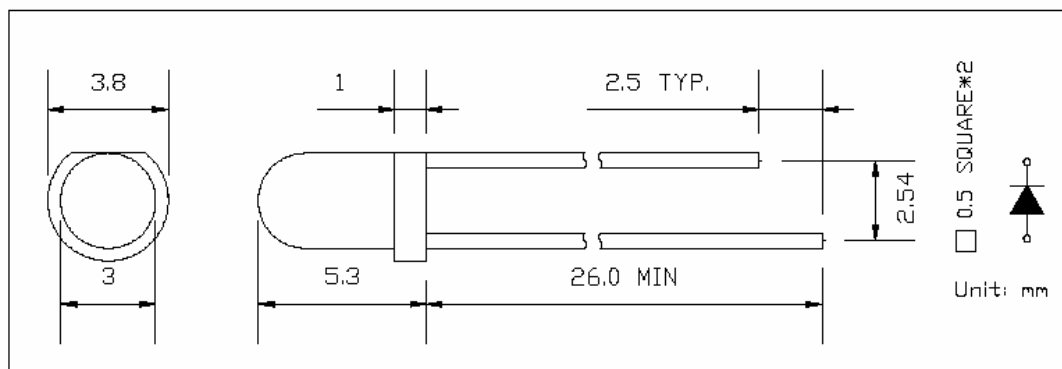
Parameter	Maximum Rating	Unit
Peak Forward Current	120	mA
Continuous Forward Current	30	mA
Operating Temperature Range	-40°C to +85°C	
Storage Temperature Range	-50°C to +100°C	
Lead Soldering Temperature	260°C for 3 seconds 1.6mm(0.063 inch) from body	

Electro-Optical Characteristics (Ta = 25°C)

Parameter Radiant	Test Condition	Symbol	Min.	Typ.	Max.	Unit
Forward Voltage	I _F = 20mA	V _F		3.2	3.8	V
Reverse Current	V _R = 5V	I _R			10	uA
Luminous Intensity	I _F = 20mA	I _v	4000	6000		mcd
Spectral Bandwidth	I _F = 20mA	Δλ		35		nm
Wavelength	I _F = 20mA	λ _p				nm
		λ _d		525	530	nm
Viewing Angle	I _F = 20mA	2 θ _{1/2}		20		deg

Package

Item:300



2013MAY6Y