



YETDA INDUSTRY LTD.

**5mm White Ultra Bright LED Lamps
S500TW4G-U**

- 5mm with InGaN Dice ◦
- Encapsulated with Water Clear Lens Package ◦
- Long Leads ◦

Absolute Maximum Ratings :

Parameter	Maximum Rating	Unit
Peak Forward Current	120	mA
Continuous Forward Current	30	mA
Operating Temperature Range	-40°C to +85°C	
Storage Temperature Range	-50°C to +100°C	
Lead Soldering Temperature	260°C for 3 seconds 1.6mm(0.063 inch) from body	

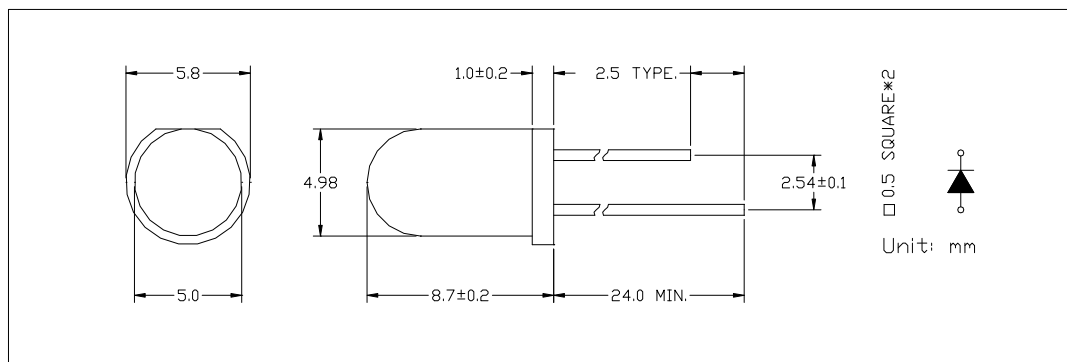
Electro-Optical Characteristics (Ta = 25°C)

Parameter Radiant	Test Condition	Symbol	Min.	Typ.	Max.	Unit
Forward Voltage	IF = 20mA	Vf		3.2	3.8	V
Reverse Current	VR = 5V	Ir			10	uA
Luminous Intensity	IF = 20mA	Iv		15000	20000	mcd
Spectral Bandwidth	IF = 20mA	$\Delta\lambda$				nm
Wavelength	IF = 20mA	X		0.29		
	IF = 20mA	Y		0.30		
Viewing Angle	IF = 20mA	2 θ 1/2		20		deg

Please refer to CIE1931 Chromaticity Coordinate diagram

Package

Item: 500



13JUN13Y