

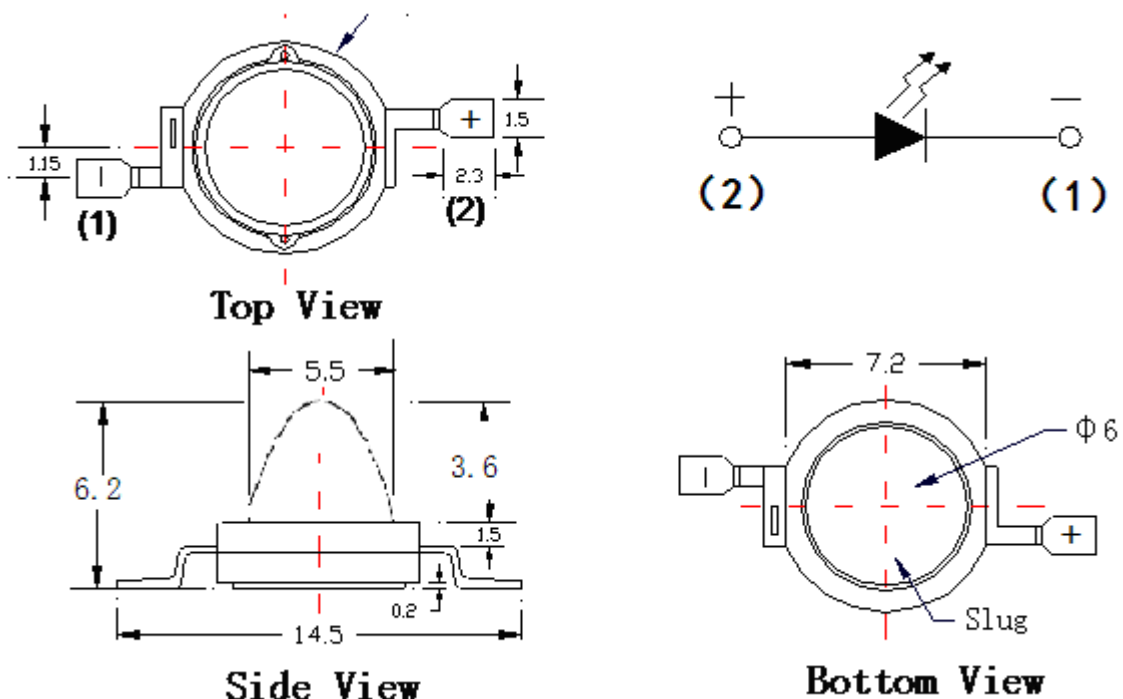


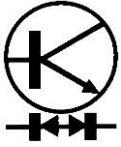
YETDA INDUSTRY LTD.

1W HIGH POWER WHITE LED (EMITTER) W032E

Features	Applications
* Long operating life	* Reading lights (car, bus, aircraft)
* Highest flux	* LCD Backlights/light Guides
** Available in White:2500K-25000K	* Fiber optic alternative/ Decorative Entertainment
* Lambertian radiation pattern	* Mini-accent/Up lighters/Down lighters/ Orientation
* More energy efficient than incandescent and most halogen lamps	* Indoor/Outdoor commercial and Residential Architectural
* Low voltage DC operated	* Cove/Under shelf/Task
* Cool beam, safe to the touch	* Bollards/Security/Garden
* Instant light (less than 100ns)	* Portable (flashlight, bicycle)
* Fully dimmable	* Edge-lit signs (Exit, point of sale)
* No UV	* Automotive Exit (Stop-Tail-Turn,CHMSL, Mirror Side Repeat)
* Superior ESD protection	* Traffic signaling / Beacons / Rail Crossing and Wayside
* Eutectic die bonding	
* RoHS compliant	

PACKAGE





YETDA INDUSTRY LTD.

Typical Optical/ Electrical Characteristics @T_J=25°C

Item	Symbol	Condition	Min.	Typ.	Max.	Unit
Forward Voltage	V _F	I _F =300mA	3.0		3.4	V
Reverse Current	I _R	V _R =5V	0		1	uA
Viewing Angle	2θ _{1/2}	I _F =300mA		140		deg
Luminous Intensity	φ _V	I _F =300mA	110	-	130	lm
Chromaticity	T _C	I _F =300mA	5300		5700	k

Notes:

1. Tolerance of measurement of forward voltage±0.1V.
2. Tolerance of measurement of peak Wavelength±2.0nm.
3. Tolerance of measurement of luminous intensity±15%.

Absolute Maximum Rating

Item	Symbol	Absolute Maximum Rating	Unit
Forward Current	I _F	125	mA
Peak Forward Current*	I _{FP}	400	mA
Reverse Voltage	V _R	5	V
Operation Temperature	T _{OPR}	-30~+60	°C
Storage Temperature	T _{STG}	-40~+90	°C
Lead Soldering Temperature*	T _{SOL}	Max. 260°C for 3sec Max.	

*IFP Conditions : Pulse Width≤10msec duty≤1/10

- * All high power emitter LED products mounted on aluminum metal-core printed circuit board, can be lighted directly, but we do not recommend lighting the high power products for more than 5 seconds without a appropriate heat dissipation equipment.
- * Re-flow, wave peak and soak- stannum soldering etc.is not suitable for this products.
- * Suggest to solder it by professional high power LED soldering machine.
- * Can use invariable-temperature searing-iron with soldering condition:≤260 degree less than 3 seconds.